



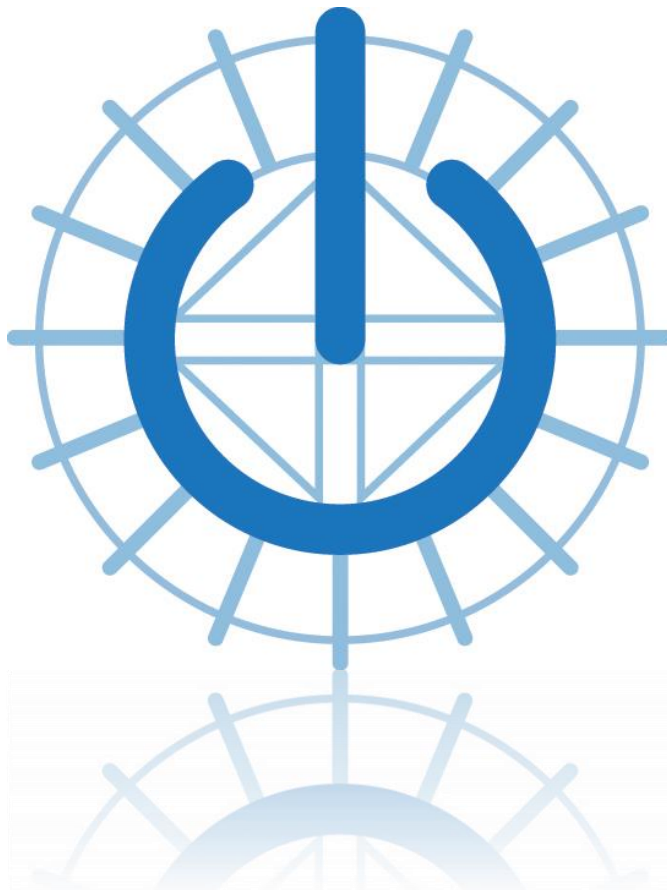
## The Millbrook Power (Gas Fired Power Station) Order

### 2.4 Indicative Elevation Drawings

Planning Act 2008  
The Infrastructure Planning  
(Applications: Prescribed Forms and Procedure) Regulations 2009

**PINS Reference Number:** EN010068  
**Document Reference:** 2.4  
**Regulation Number:** 5(2)(o)  
**Author:** Y UU

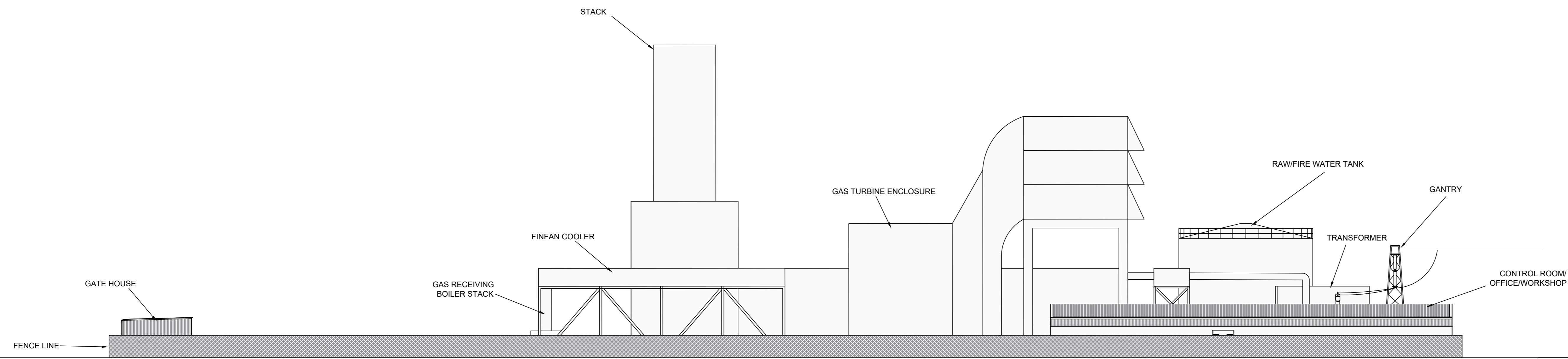
Revision	Date	Description
0	October 2017	Submission Version



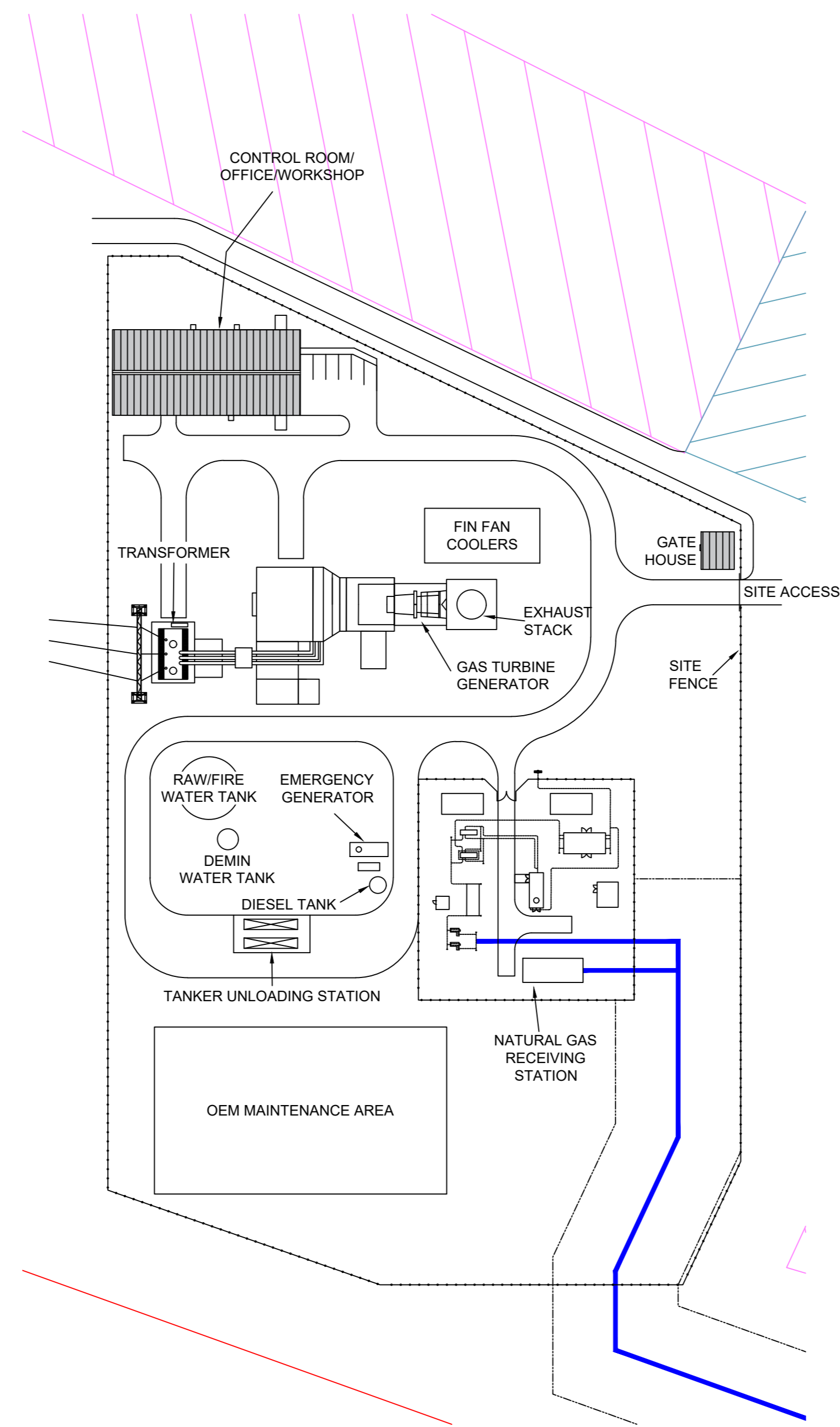
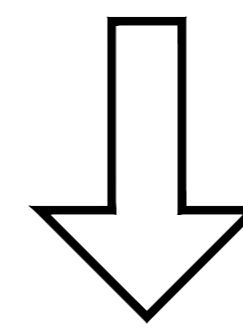
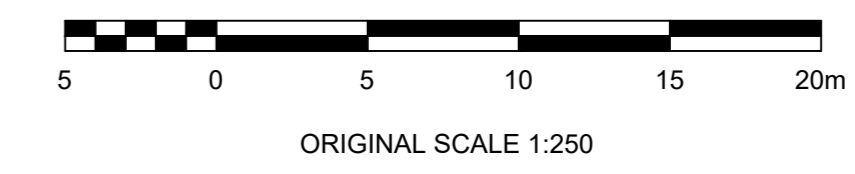


## CONTENTS

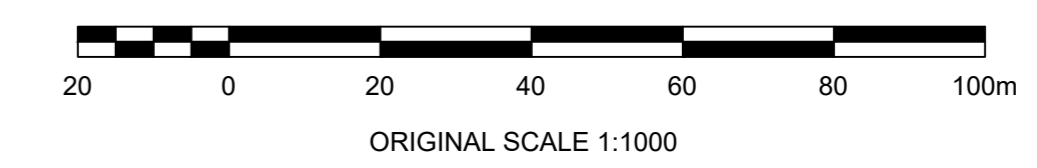
Figure 1	Indicative Generating Equipment Elevation North Reg5(2)(o)
Figure 2	Indicative Generating Equipment Elevation South Reg5(2)(o)
Figure 3	Indicative Generating Equipment Elevation East Reg5(2)(o)
Figure 4	Indicative Generating Equipment Elevation West Reg5(2)(o)
Figure 5	Indicative Gas Turbine Generator Plan and Elevations Reg5(2)(o)
Figure 6	Indicative Gatehouse Plan and Elevations Reg5(2)(o)
Figure 7	Indicative Emergency Generator Plan and Elevations Reg5(2)(o)
Figure 8	Indicative Control Room/Office/Workshop Plan and Elevations Reg5(2)(o)
Figure 9	Indicative Transformer and Gantry Plan and Elevations Reg5(2)(o)
Figure 10	Indicative Demineralised Water Tank and Raw/Fire Water Tank Plan and Elevations Reg5(2)(o)
Figure 11	Indicative Fin Fan Cooler Plan and Elevations Reg5(2)(o)
Figure 12	Indicative Diesel Tank Plan and Elevations Reg5(2)(o)
Figure 13	Indicative Substation Elevation North Reg5(2)(o)
Figure 14	Indicative Substation Elevation South Reg5(2)(o)
Figure 15	Indicative Substation Elevation East Reg5(2)(o)
Figure 16	Indicative Substation Elevation West Reg5(2)(o)
Figure 17	Indicative Sealing End Compound Plan and Elevations Reg5(2)(o)



NORTH ELEVATION  
(SCALE 1:250)



PLAN  
(SCALE 1:1000)



D	06/10/17	TITLE UPDATED	SPS	SJS	IMG
C	20/09/17	LOGO UPDATED	SPS	SJS	IMG
T	13/03/17	FENCE LINE INDICATED	OPR	SJS	IMG
A	22/05/17	FIRST ISSUE	SPS	SJS	IMG

INDICATIVE



Westbrook Mills  
Coventry  
Survey Q17 23Z

Tel: 44 (0)1453 528600  
Fax: 44 (0)1453 528699  
wsp.com

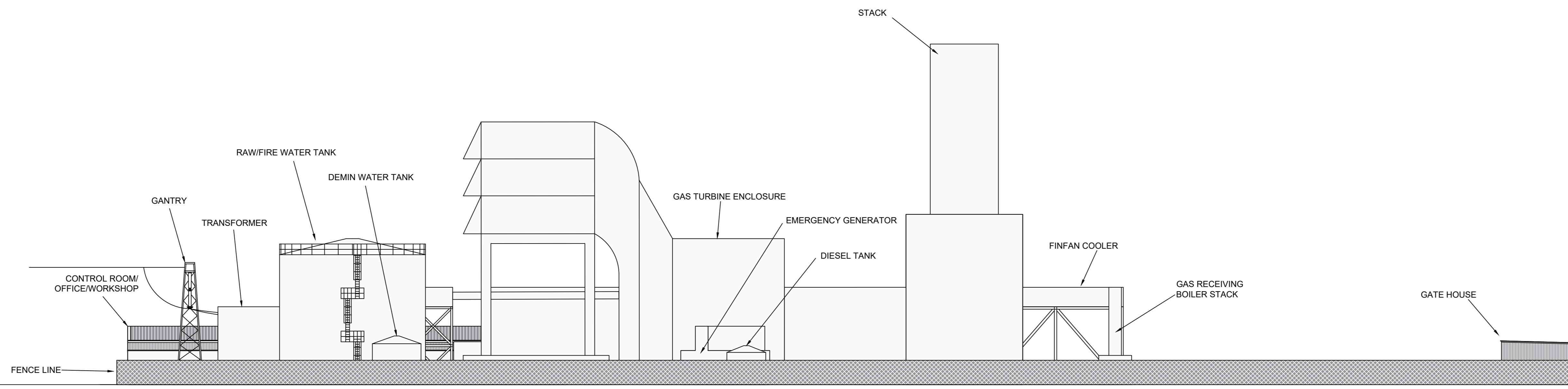


MILLBROOK POWER PROJECT

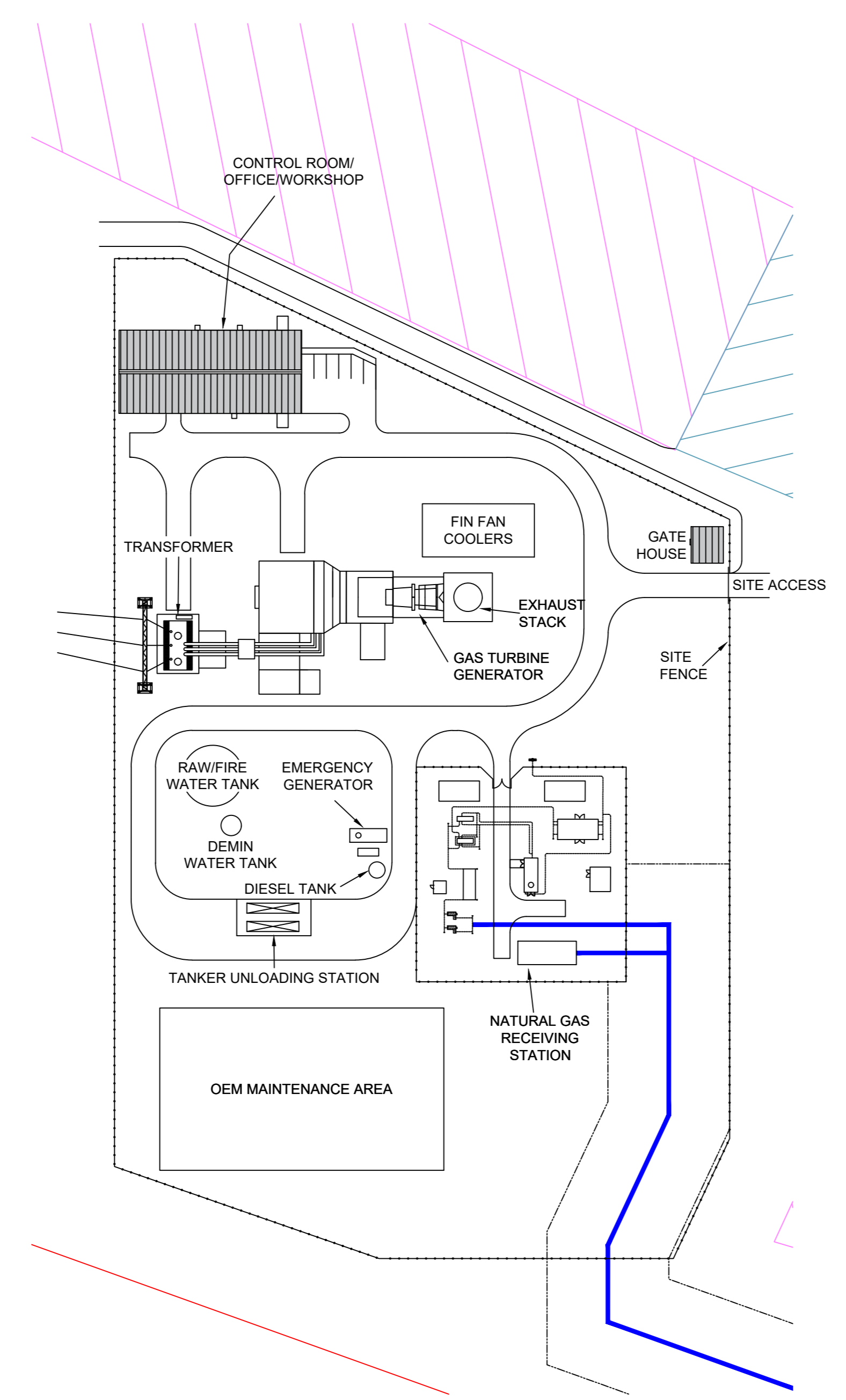
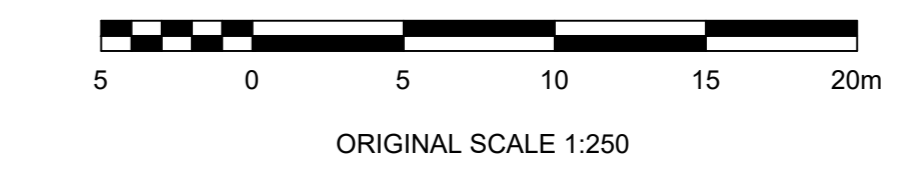
INDICATIVE GENERATING EQUIPMENT ELEVATION NORTH Reg5(2)(o) DOCUMENT REFERENCE 2.4

Drawn:	SPS	Checked:	SJS
Designed:	IMG	Approved:	IMG
Date:	22/05/17	Scale:	AS SHOWN
Project Number:	70032619	Sheet:	1 OF 1

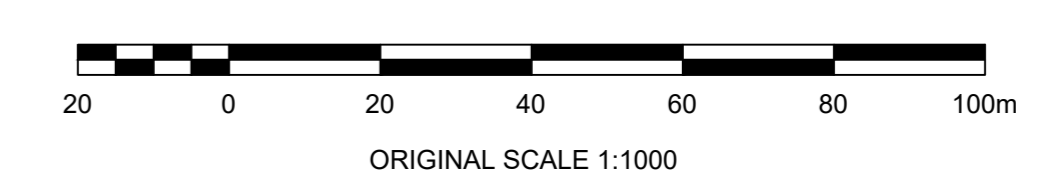
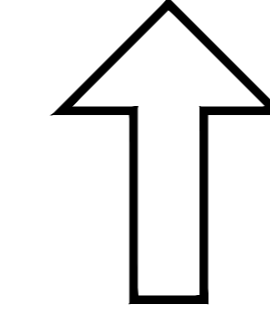
70032619 FIGURE 1 D



SOUTH ELEVATION  
(SCALE 1:250)



PLAN  
(SCALE 1:1000)



D	06/10/17	TITLE UPDATED	SPS	SJS	IMG
C	20/09/17	LOGO UPDATED	SPS	SJS	IMG
T	13/03/17	FENCE LINE INDICATED	OPR	SJS	IMG
A	22/05/17	FIRST ISSUE	SPS	SJS	IMG

INDICATIVE



Westbrook Mills  
Coventry  
Survey Q17 23Z

Tel: 44 (0)1453 528600  
Fax: 44 (0)1453 528699  
wsp.com



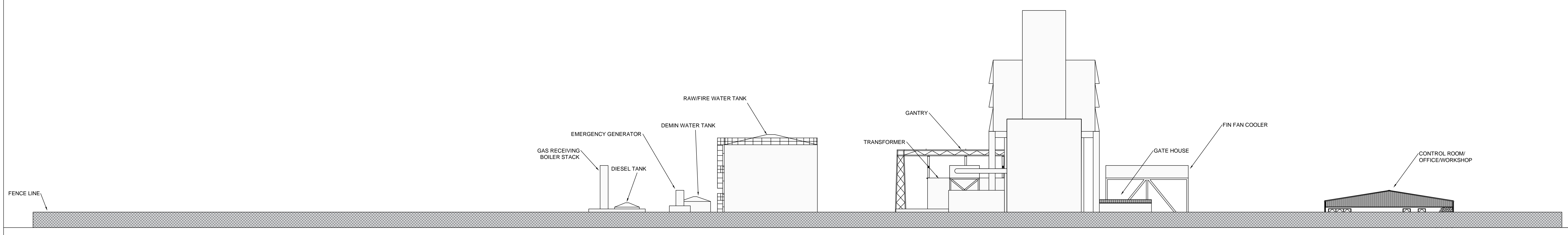
MILLBROOK POWER  
PROJECT

INDICATIVE GENERATING  
EQUIPMENT ELEVATION  
SOUTH Reg5(2)(o)  
DOCUMENT REFERENCE 2.4

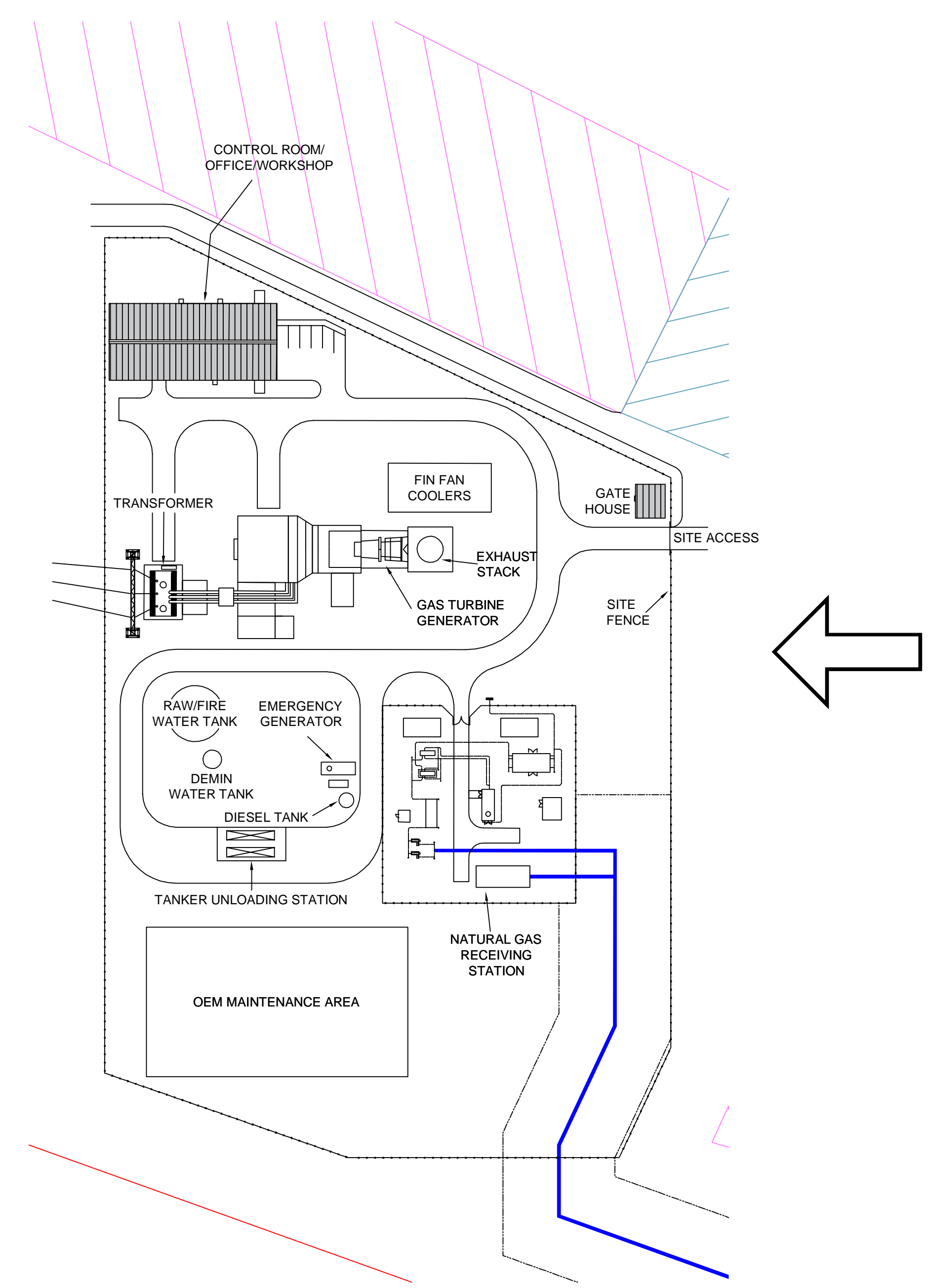
Drawn:	SPS	Checked:	SJS
Designed:	IMG	Approved:	IMG
Date:	22/05/17	Scale:	AS SHOWN A0
Project Number:	70032619	Sheet:	1 OF 1

70032619 FIGURE 2 D

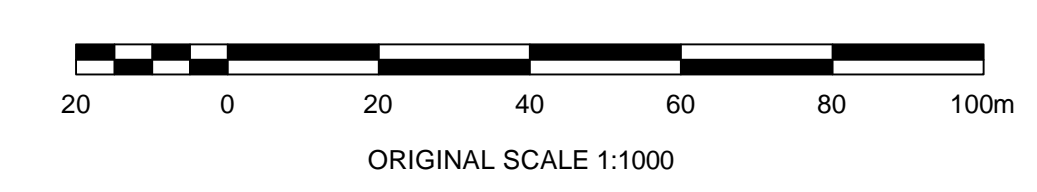
0 100 200 300



EAST ELEVATION  
(SCALE 1:250)



PLAN  
(SCALE 1:1000)



E	19/10/17	ELEVATION CORRECTED	SPS	SJS	MG
D	06/10/17	TITLE UPDATED	SPS	SJS	MG
C	20/09/17	LOGO UPDATED	SPS	SJS	MG
B	13/05/17	FENCE LINE MODIFIED	SPS	SJS	MG
A	22/05/17	FIRST ISSUE	SPS	SJS	MG

INDICATIVE



Westbrook Mills  
Coventry  
Survey D1/7 242

Tel: 44-01143-528400  
Fax: 44-01143-528499  
wsp.com



MILLBROOK POWER  
PROJECT

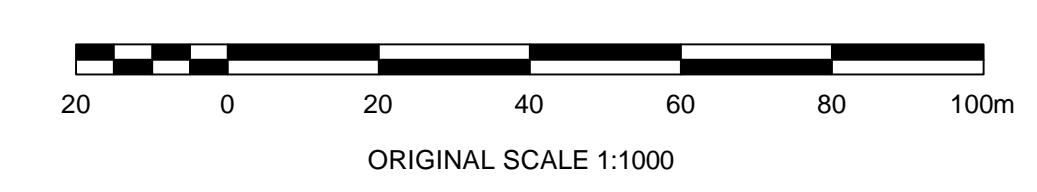
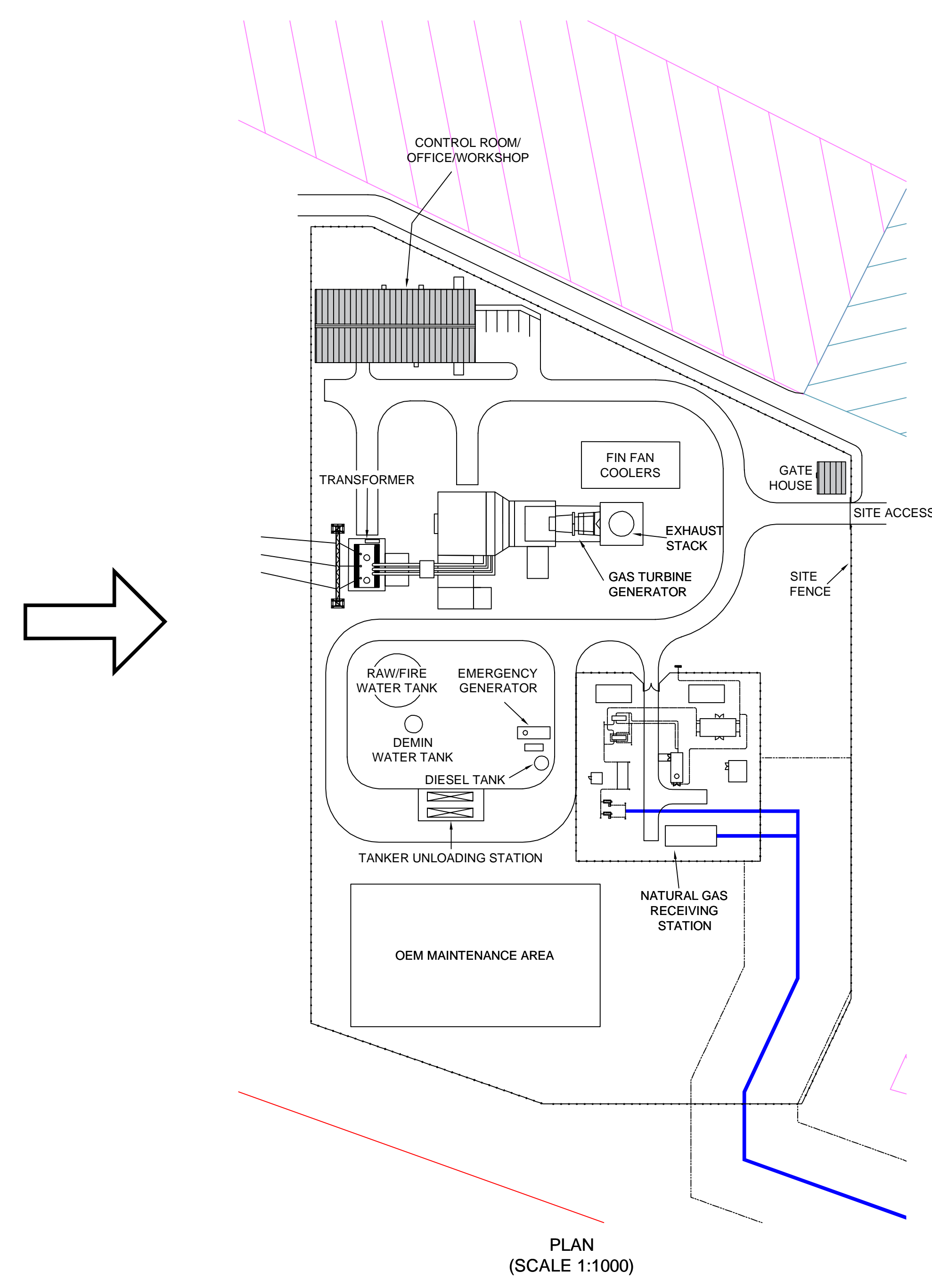
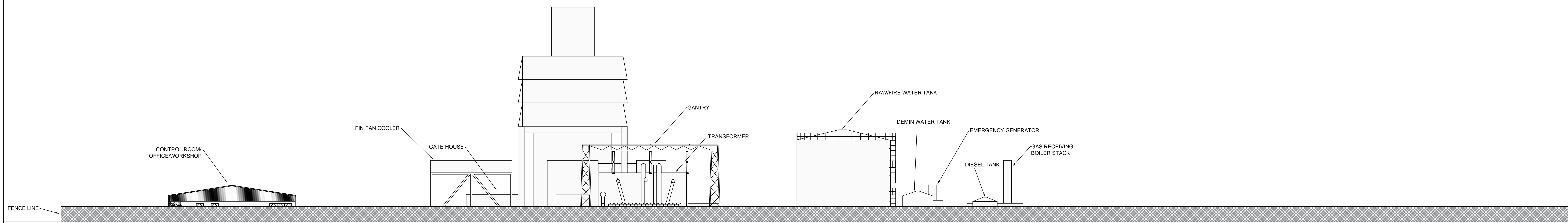
INDICATIVE GENERATING  
EQUIPMENT ELEVATION  
EAST Reg5(2)(o)  
DOCUMENT REFERENCE 2.4

Drawn:	SPS	Checked:	SJS
Designed:	IMG	Approved:	IMG
Date:	22/05/17	Scale:	AS SHOWN   A0   Sheet: 1 OF 1
Project Number:	70032619	Drawn by:	

70032619 FIGURE 3 E

File Name: I:\A\mgp\proj\conventional\millbrook\70032619 - Millbrook Power\Drawings\Update\Layout\DWG\Reg5(2)(o)\Elevation\East\_Elevation.dwg

0 100 200 300



E	19/01/17	ELEVATION CORRECTED	SPS	SJS	IMG
D	06/10/17	TITLE UPDATED	SPS	SJS	IMG
C	20/09/17	LOGO UPDATED	SPS	SJS	IMG
TB	13/01/17	FENCE LINE INDICATED	SPS	SJS	IMG
A	22/05/17	FIRST ISSUE	SPS	SJS	IMG

INDICATIVE



Westbrook Mills  
Coventry  
Survey D17 242

Tel: 44 (0)1453 528400  
Fax: 44 (0)1453 528999  
wsp.com



MILLBROOK POWER PROJECT

INDICATIVE GENERATING EQUIPMENT ELEVATION  
WEST Reg5(2)(o)  
DOCUMENT REFERENCE 2.4

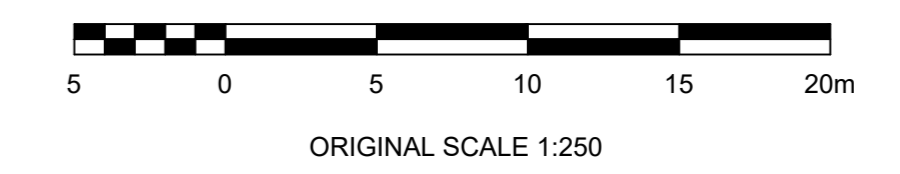
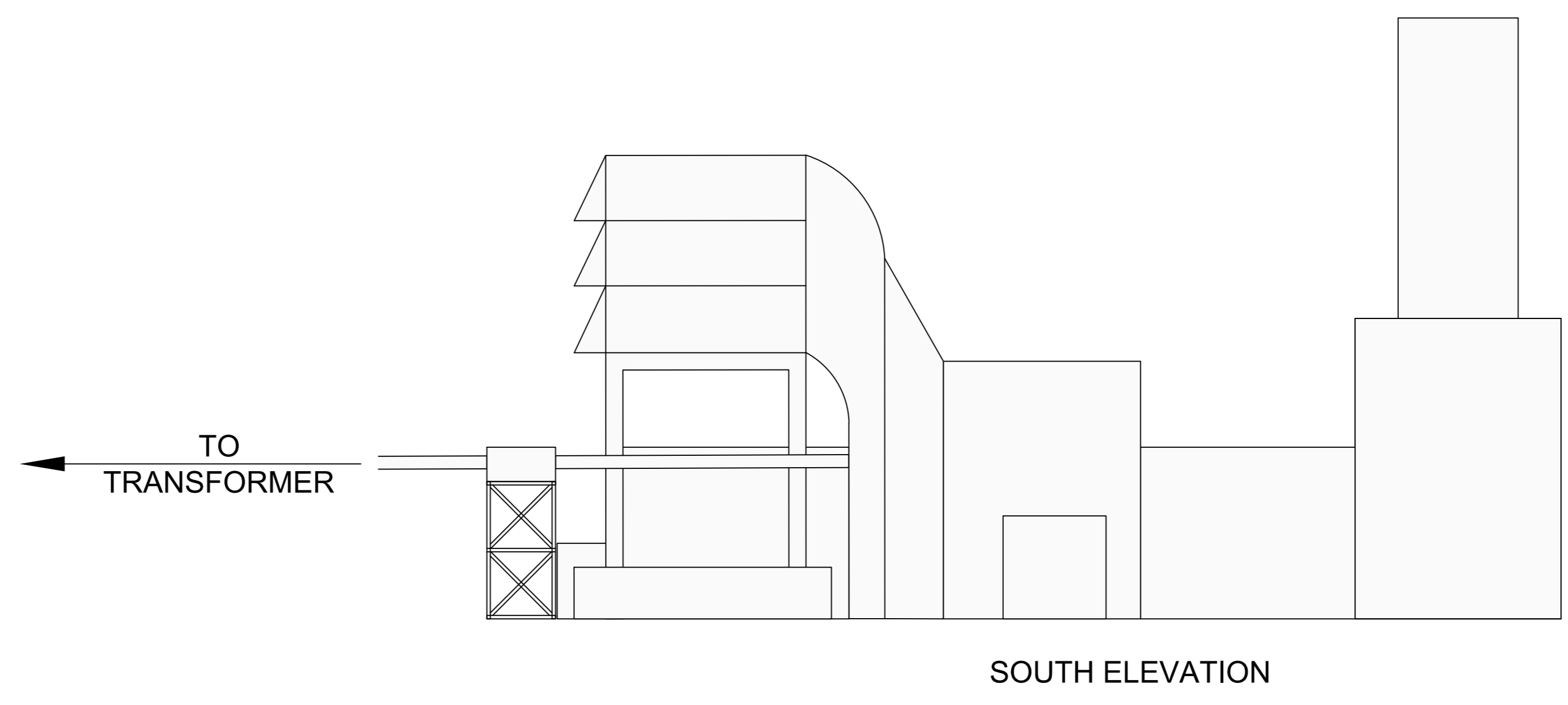
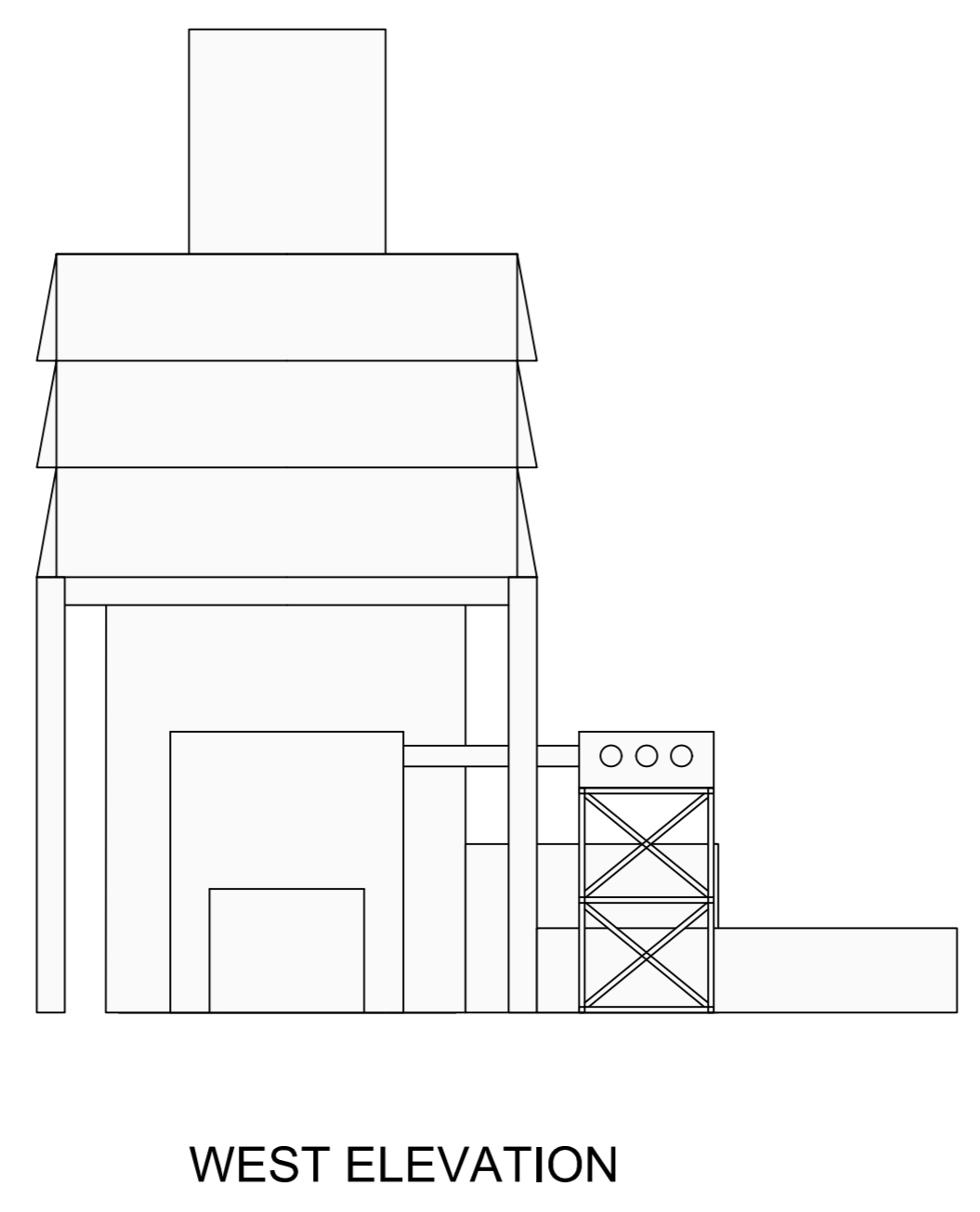
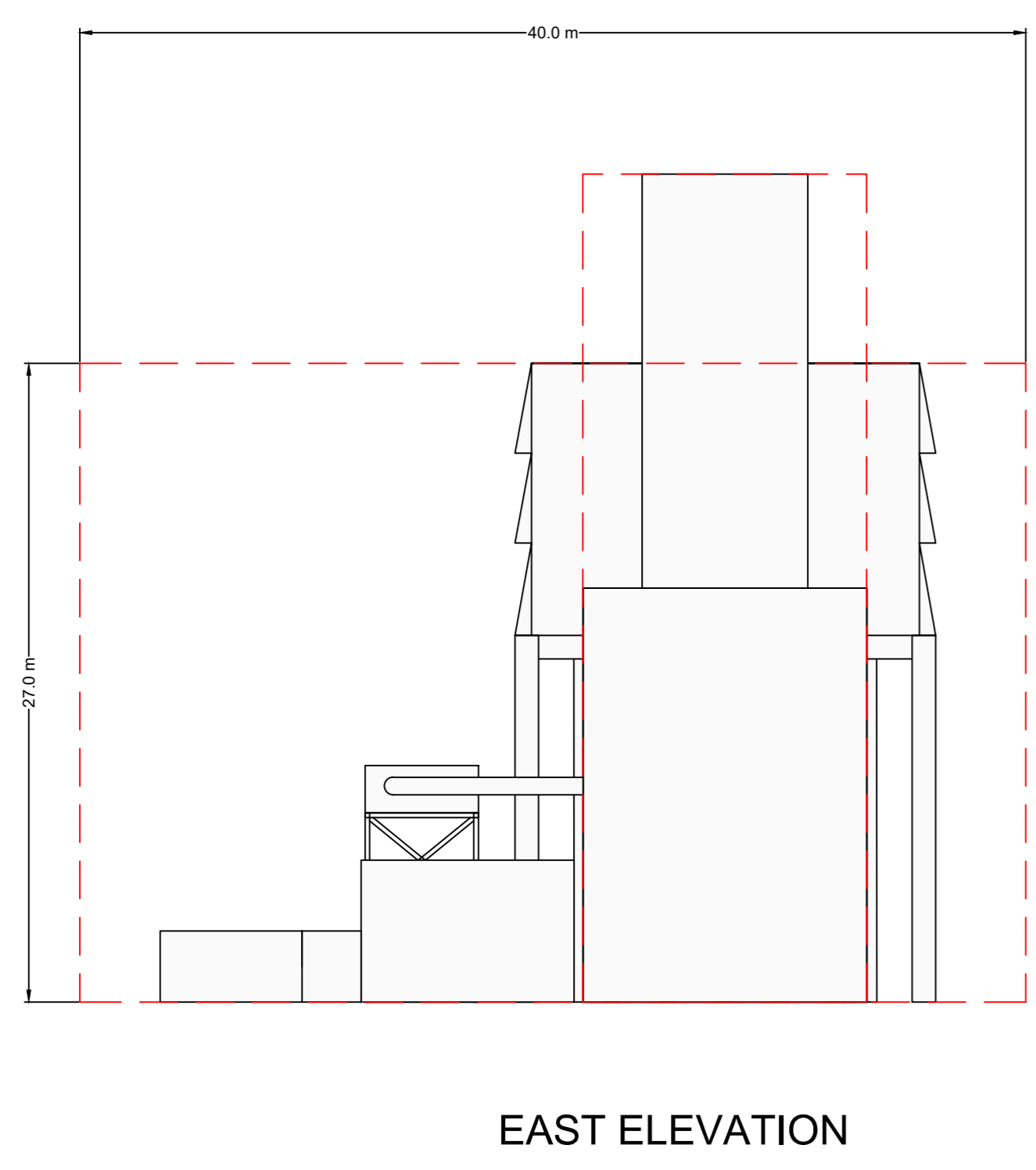
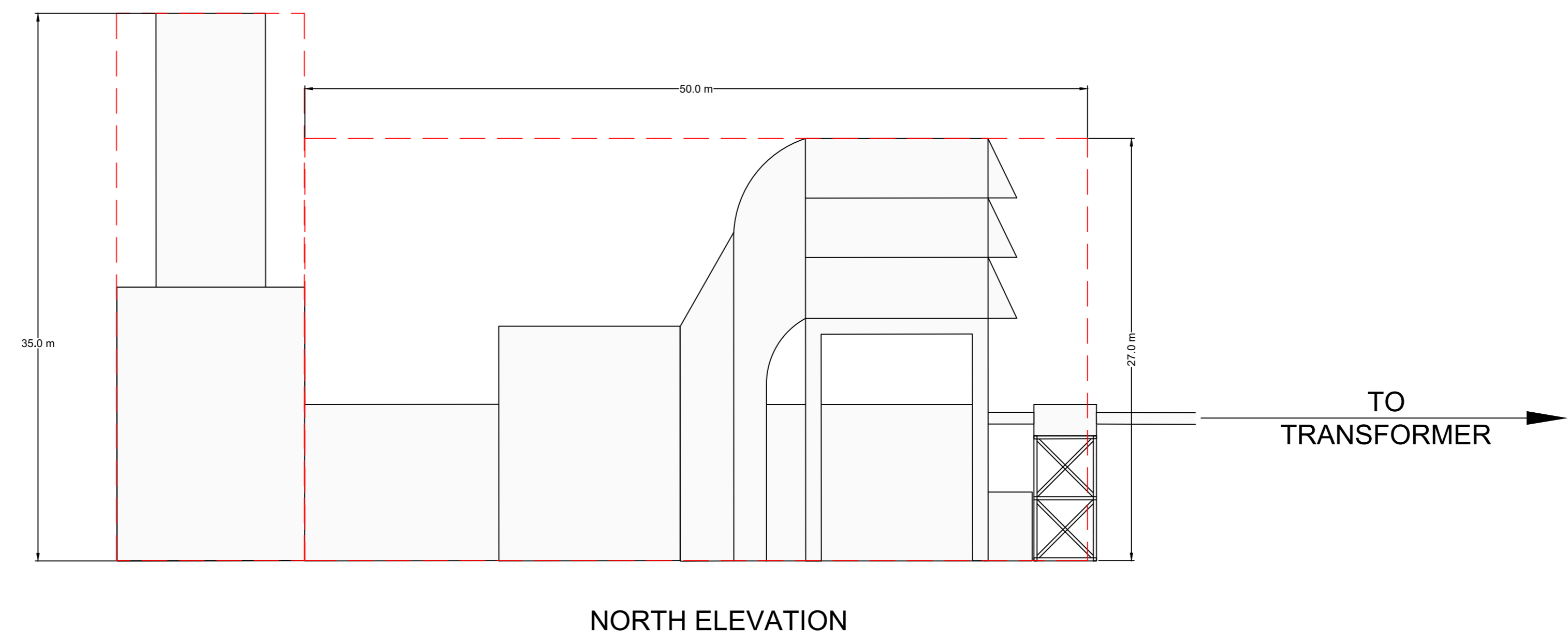
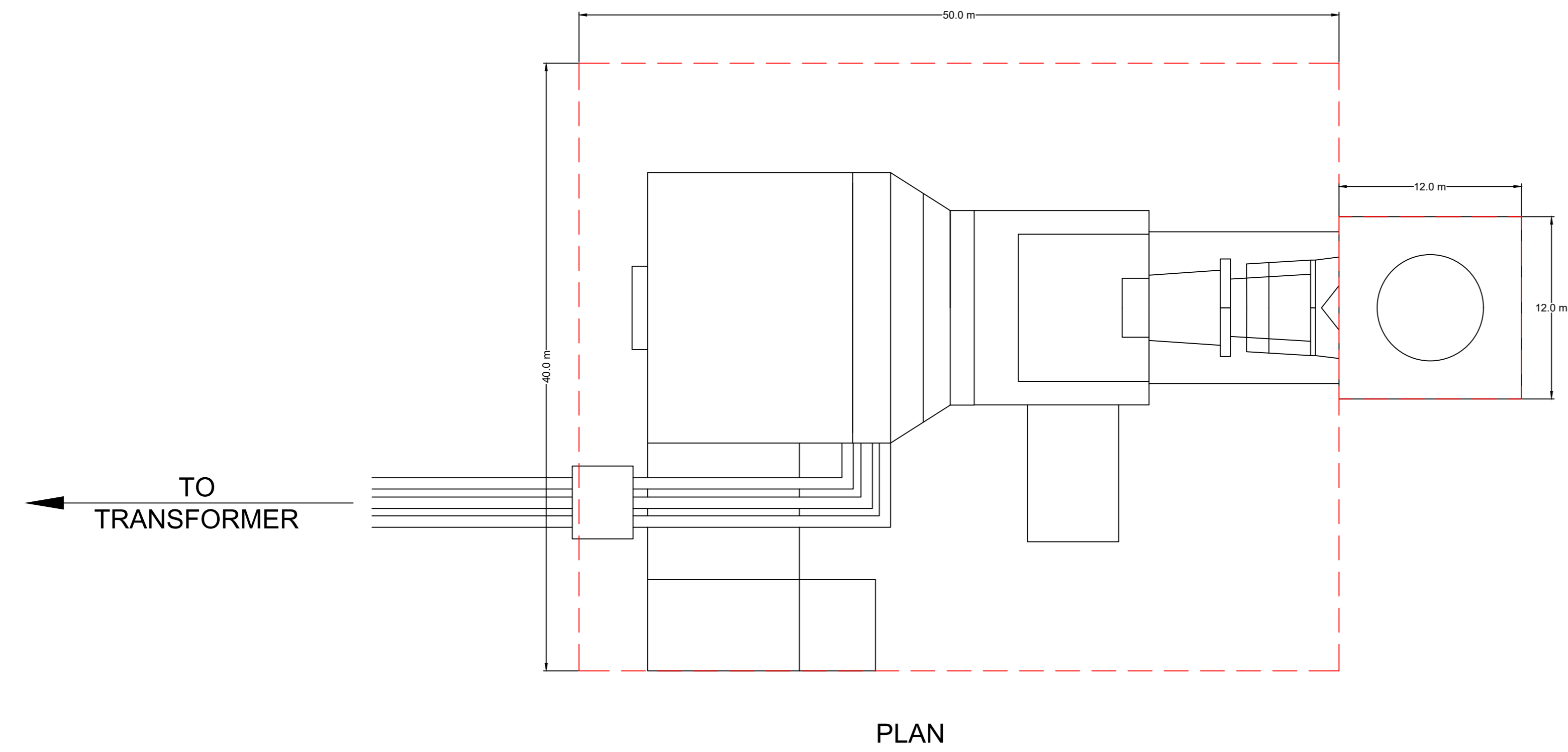
Drawn: SPS	Checked: SJS
Designed: IMG	Approved: IMG
Date: 22/05/17	Scale: AS SHOWN   A0   Sheet: 1 OF 1
Project Number: 70032619	Discipline Number: FIGURE 4

70032619 FIGURE 4 E

© Copyright WSP UK Limited


File Name: I:\A\mgp\proj\conventional\millbrook\proj\2017\20170526\20170526\_19 - Millbrook Power - Concept Update\Layout\DWG\2017\20170526\_19\_PFP\_02\_E - FENCE\_4 - WEST.dwg

LEGEND  
 --- MAXIMUM DIMENSIONS




C	08/10/17	TITLE UPDATED	SPS	SJS	MG
B	20/09/17	UPDATED LOGO	SPS	SJS	MG
A	20/09/17	FIRST ISSUE	SPS	SJS	MG
Rev	Date	Description	By	Chk	App

**INDICATIVE**



Washbrook Mills  
Surrey GU2 2JZ

Tel: 44-(0)1483-629400  
Fax: 44-(0)1483-629999  
web: www.wsp.com



Site/Project  
**MILLBROOK  
 POWER PROJECT**

Title  
**INDICATIVE GAS TURBINE  
 GENERATOR PLAN AND  
 ELEVATIONS Reg5(2)(o)  
 DOCUMENT REFERENCE 2.4**

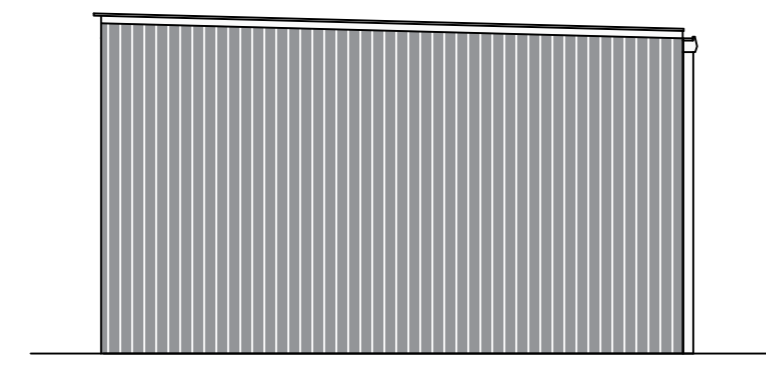
Drawn: SPS	Checked: SJS
Designed: IMG	Approved: IMG
Date: 20/06/2017	Scale: 1:250
Project Number: 70032619	Drawing Number: AD
Sheet: 1 OF 1	Revision:

**70032619    FIGURE 5    C**

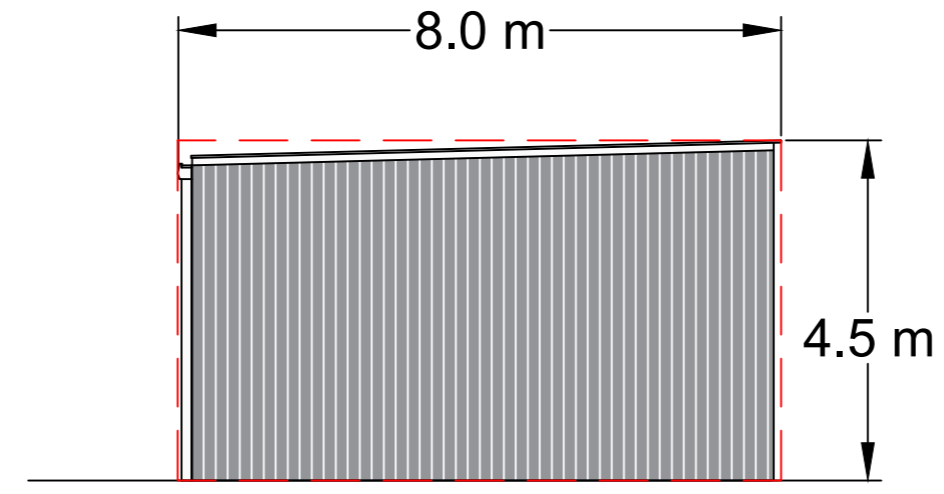
© Copyright WSP UK Limited



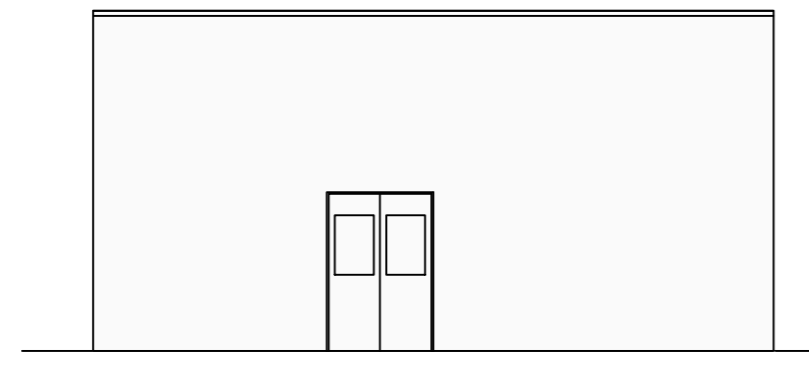
LEGEND  
 - - - MAXIMUM DIMENSIONS



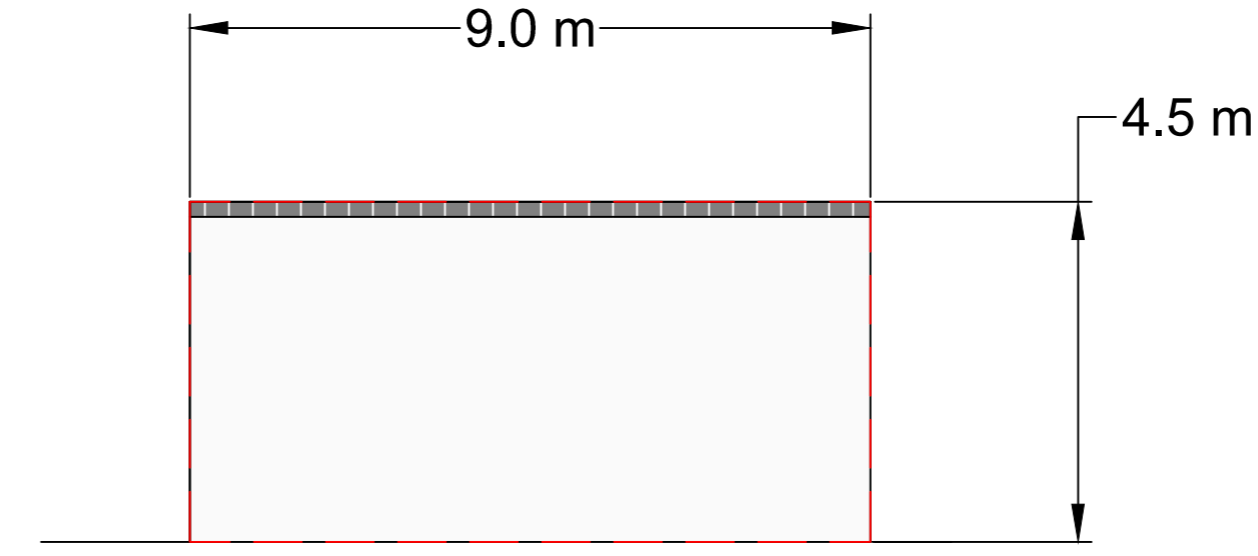
NORTH ELEVATION



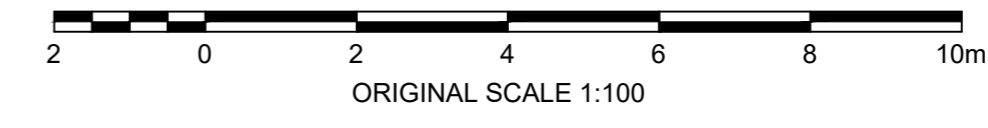
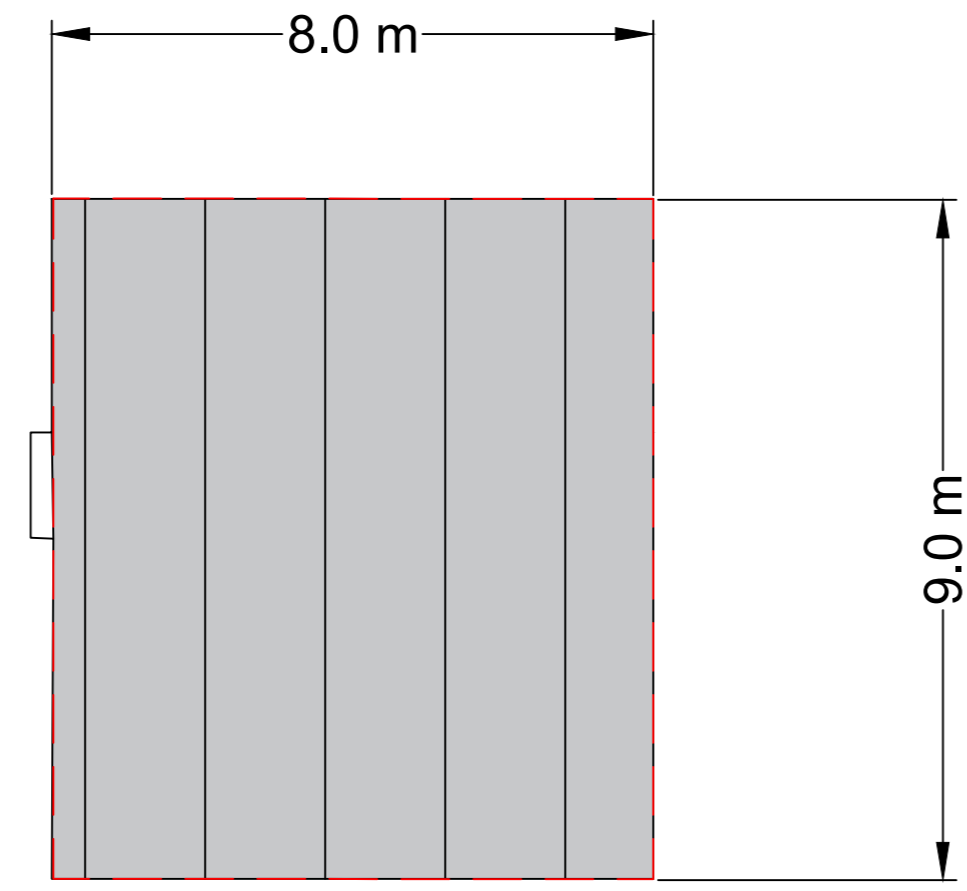
SOUTH ELEVATION



WEST ELEVATION




EAST ELEVATION




Rev	Date	Description	By	Chk	App
C	06/10/2017	TITLE LOGO	SPS	SJS	IMG
B	20/06/2017	UPDATED LOGO	SPS	SJS	IMG
A	20/06/2017	FIRST ISSUE	SPS	SJS	IMG

**INDICATIVE**



Westbrook Mills  
 Godalming  
 Surrey GU7 2AZ

Tel: 44-(0)1483-528400  
 Fax: 44-(0)1483-528989  
 wsp.com

Client:  


Site/Project:  
**MILLBROOK POWER PROJECT**

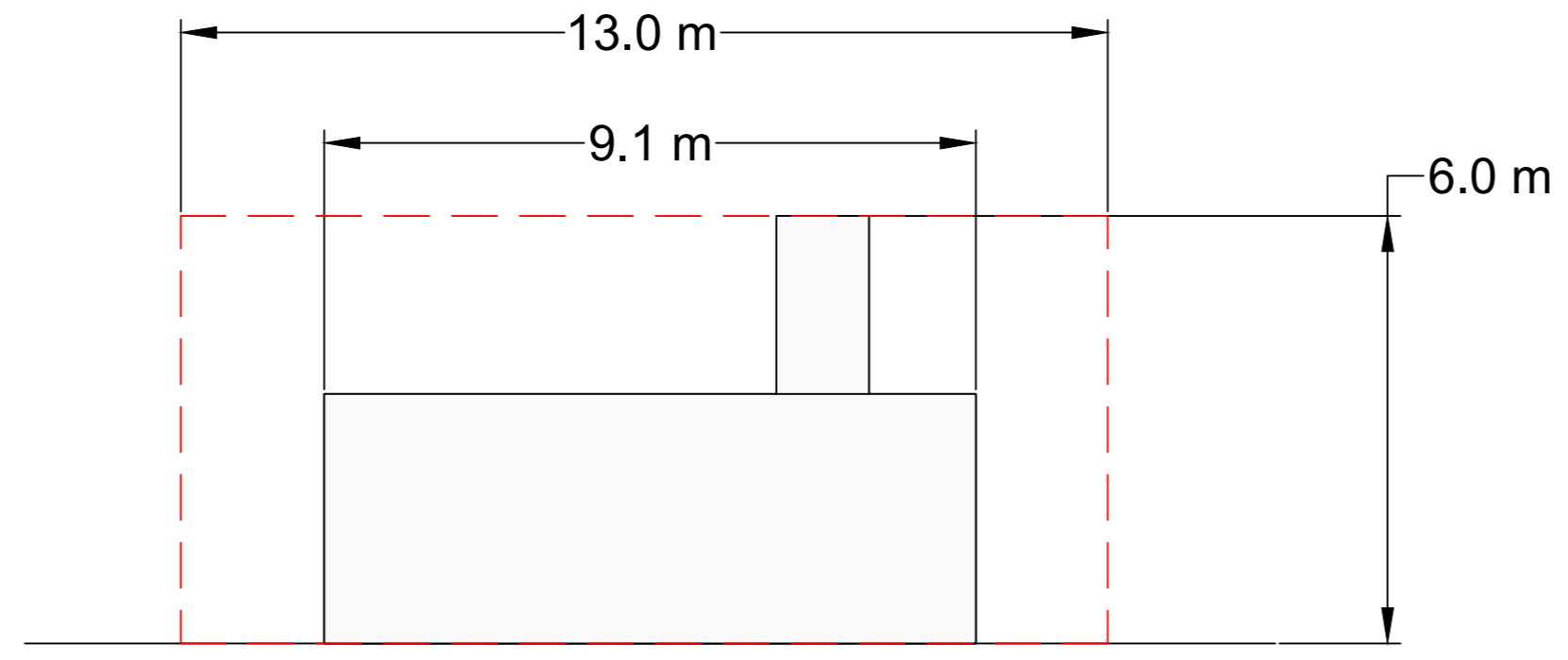
Title:  
**INDICATIVE GATEHOUSE PLAN AND ELEVATIONS Reg5(2)(o) DOCUMENT REFERENCE 2.4**

Drawn: SPS	Checked: SJS
Designed: IMG	Approved: IMG
Date: 20/06/2017	Scale: 1:100
Project Number: 70032619	Sheet: 1 OF 1

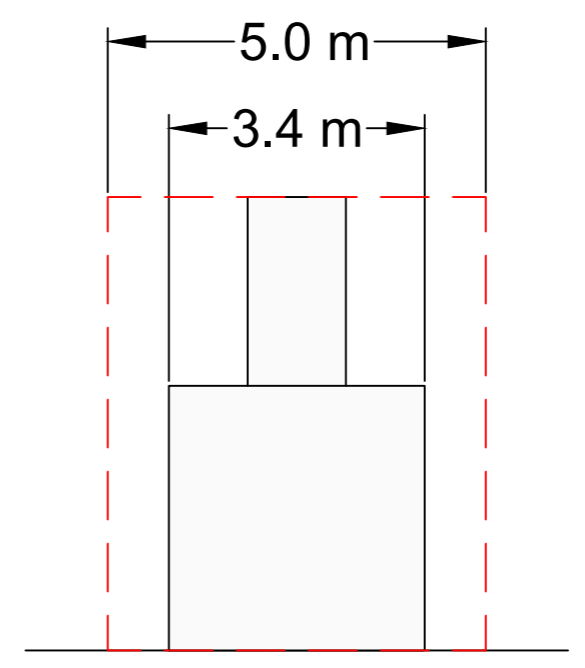
70032619    **FIGURE 6**    C

© Copyright WSP UK Limited

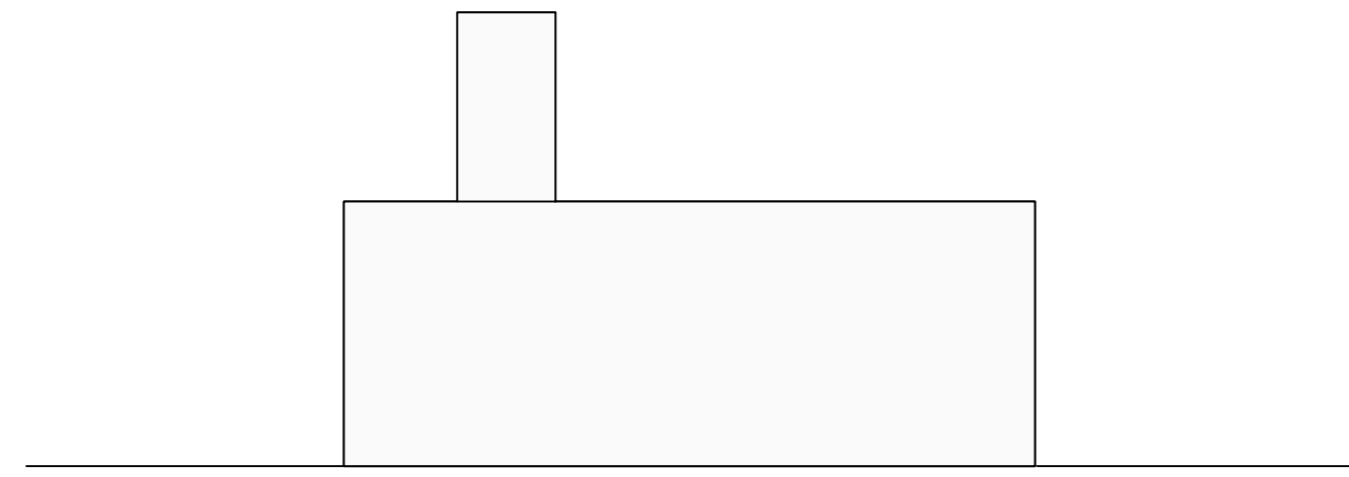
LEGEND  
 - - - MAXIMUM DIMENSIONS



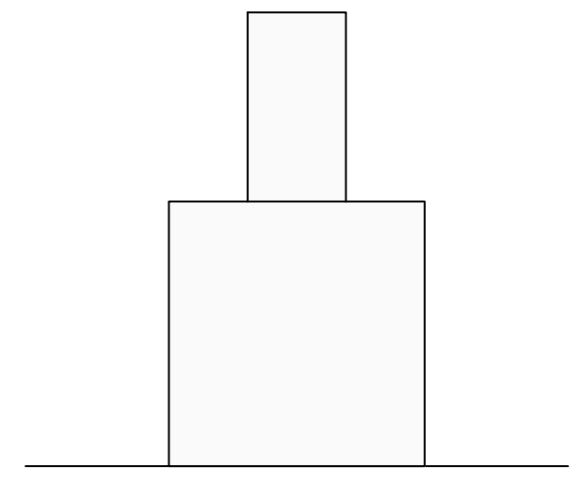
NORTH ELEVATION



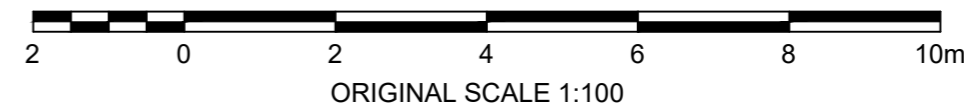
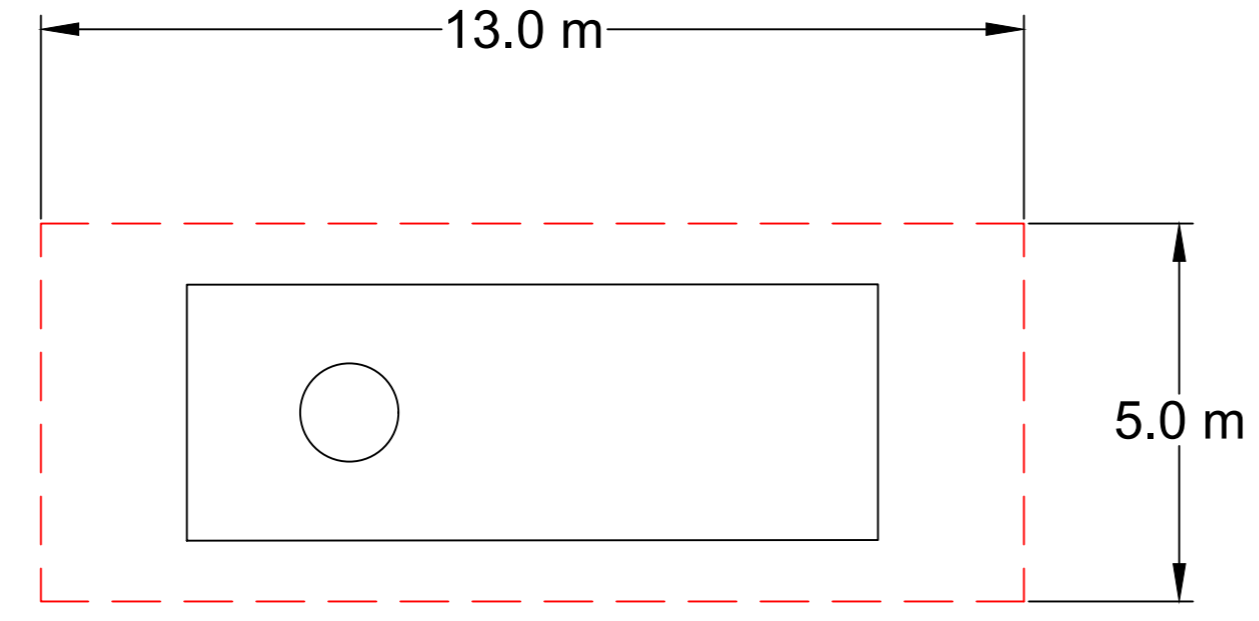
EAST ELEVATION



SOUTH ELEVATION




WEST ELEVATION




Rev	Date	Description	By	Chk	App
C	06/10/2017	TITLE LOGO	SPS	SJS	IMG
B	20/06/2017	UPDATED LOGO	SPS	SJS	IMG
A	20/06/2017	FIRST ISSUE	SPS	SJS	IMG

**INDICATIVE**



Westbrook Mills  
 Godalming  
 Surrey GU7 2AZ

Tel: 44-(0)1483-528400  
 Fax: 44-(0)1483-528989  
 wsp.com

Client:  


Site/Project:  
**MILLBROOK POWER PROJECT**

Title:  
**INDICATIVE EMERGENCY GENERATOR PLAN AND ELEVATIONS Reg5(2)(o) DOCUMENT REFERENCE 2.4**

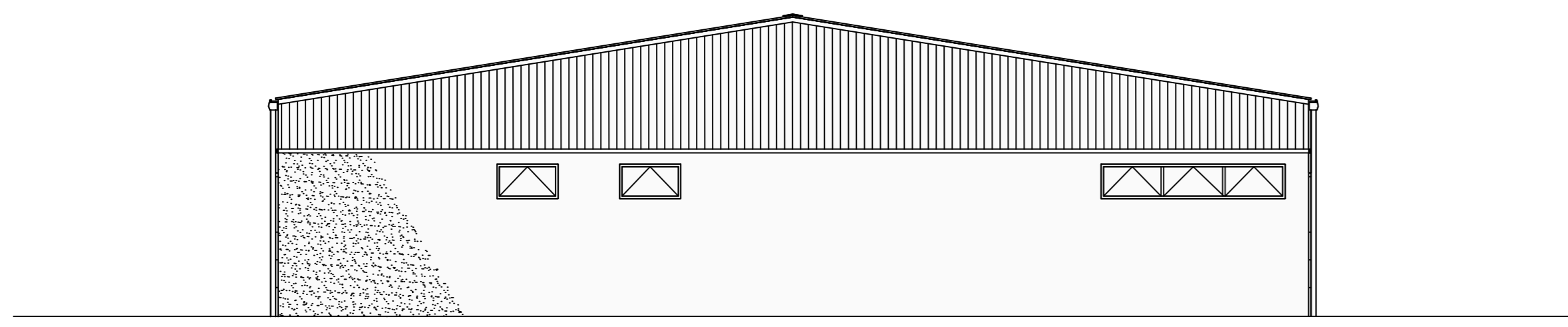
Drawn: SPS      Checked: SJS  
 Designed: IMG      Approved: IMG

Date: 20/06/2017      Scale: 1:100      A2      Sheet: 1 OF 1

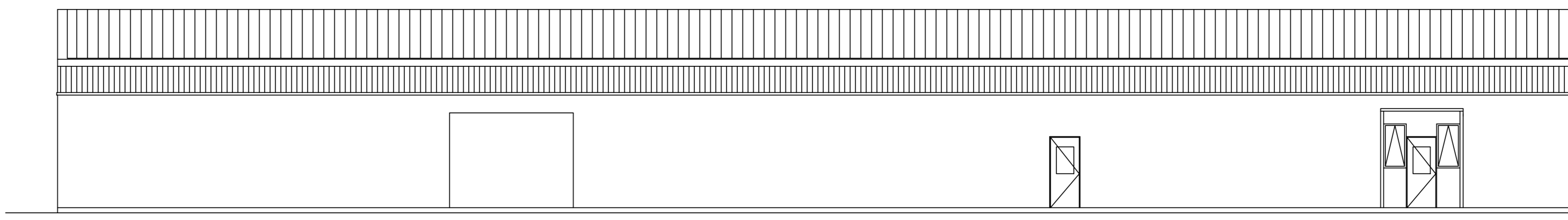
Project Number: 70032619      Drawing Number: FIGURE 7      Revision: C

© Copyright WSP UK Limited

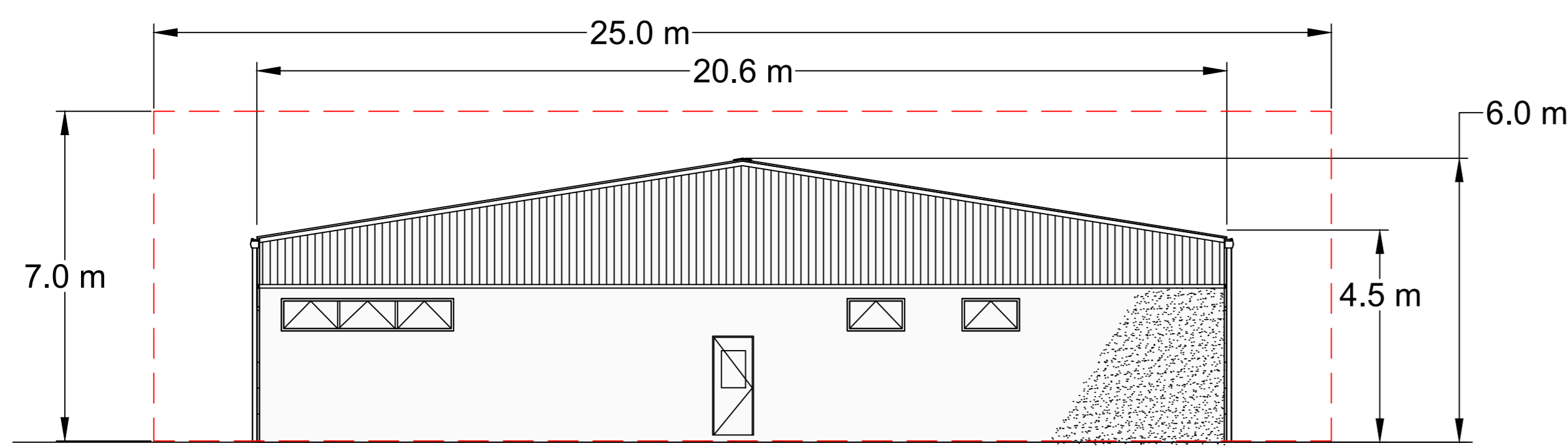
LEGEND  
 --- MAXIMUM DIMENSIONS



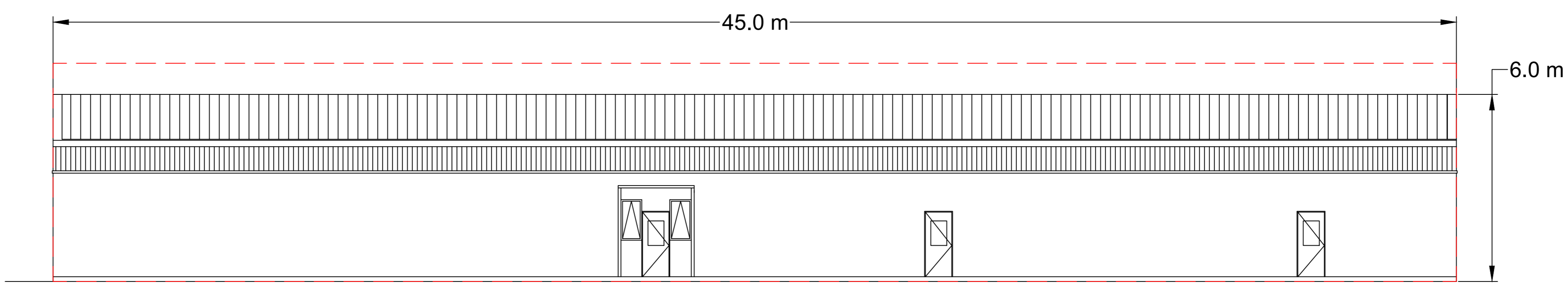
NORTH ELEVATION



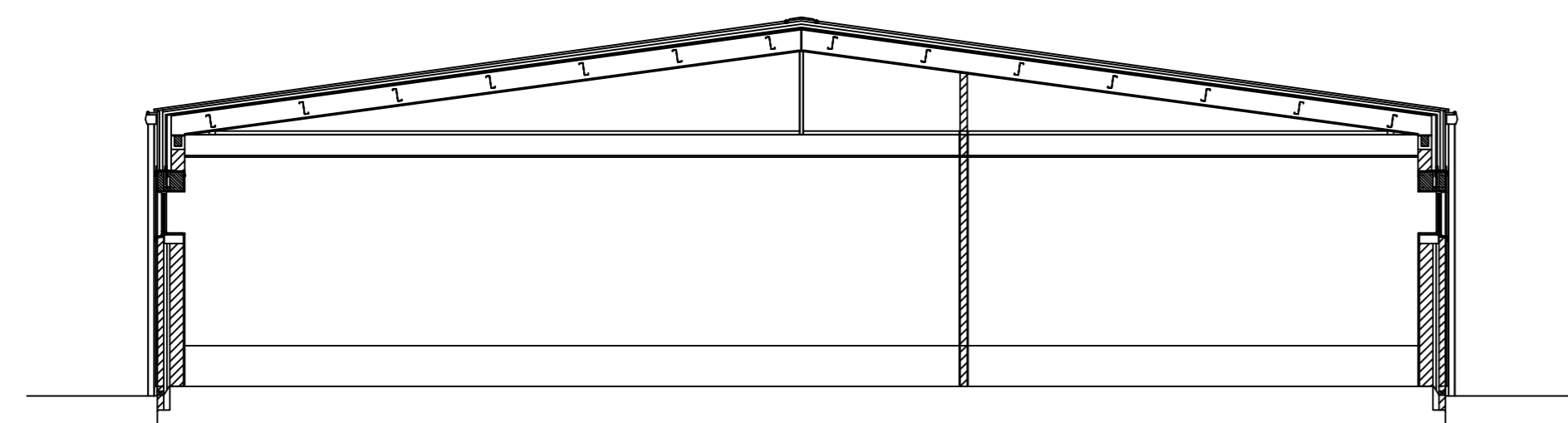
WEST ELEVATION



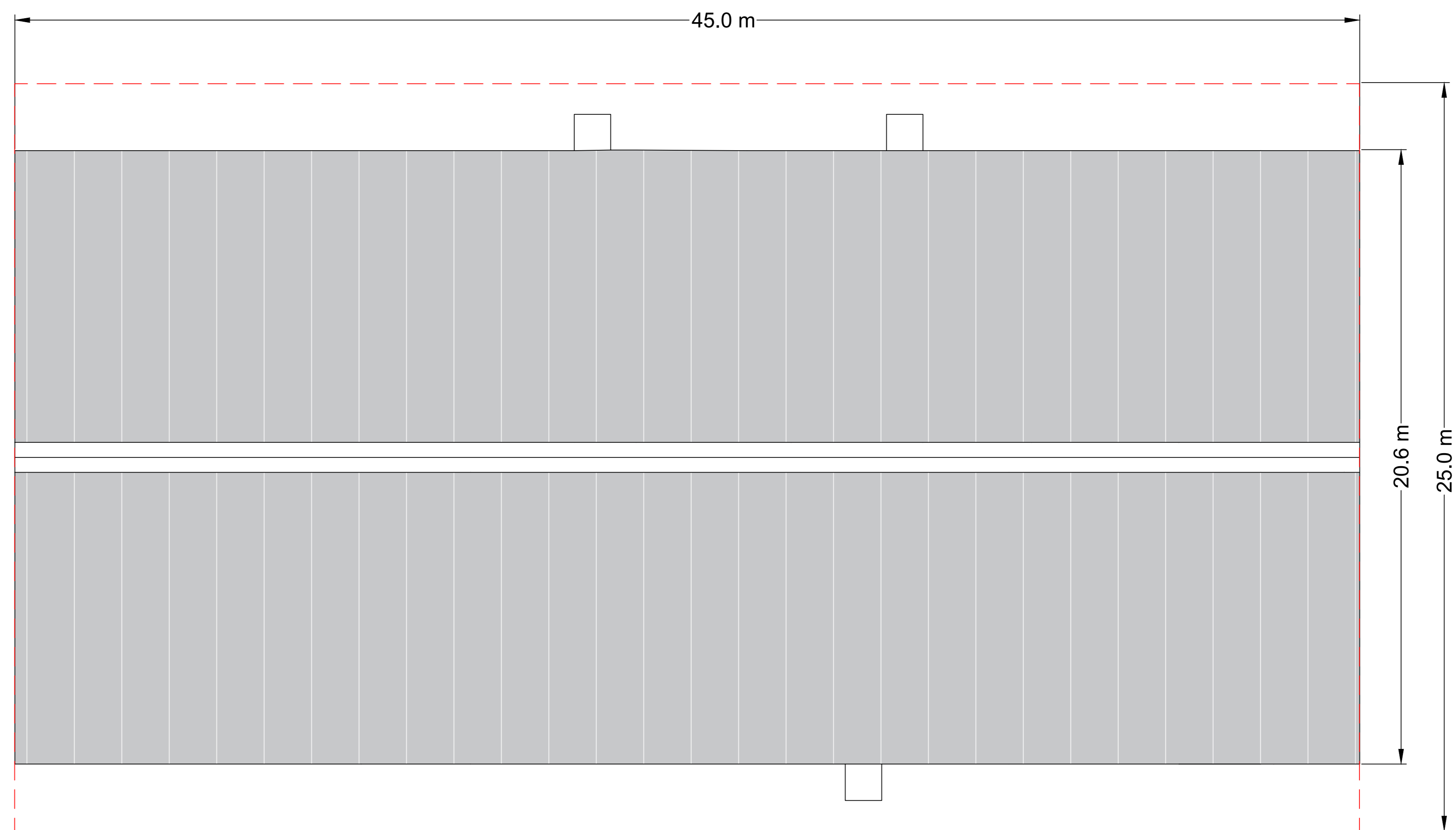
SOUTH ELEVATION



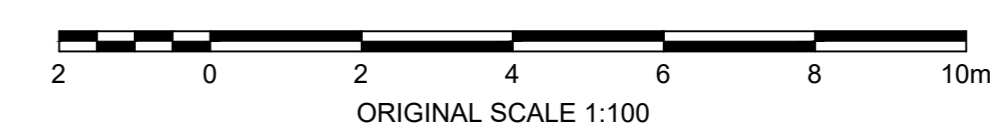
EAST ELEVATION



TYPICAL SECTION



PLAN



D	06/01/17	TITLE UPDATED	SPS	SJS	IMG
C	20/06/17	UPDATED LOGO	SPS	SJS	IMG
B	14/07/17	MAXIMUM BUILDING HEIGHT WAS 6m	CPK	SJS	IMG
A	20/06/17	FIRST ISSUE	SPS	SJS	IMG
Rev	Date	Description	By	CHK	APP

INDICATIVE



Wadbrook Mills  
 Godsmith  
 Surrey GU2 2JZ

Tel: 44-(0)1483-628400  
 Fax: 44-(0)1483-628669  
 web: www.wsp.com



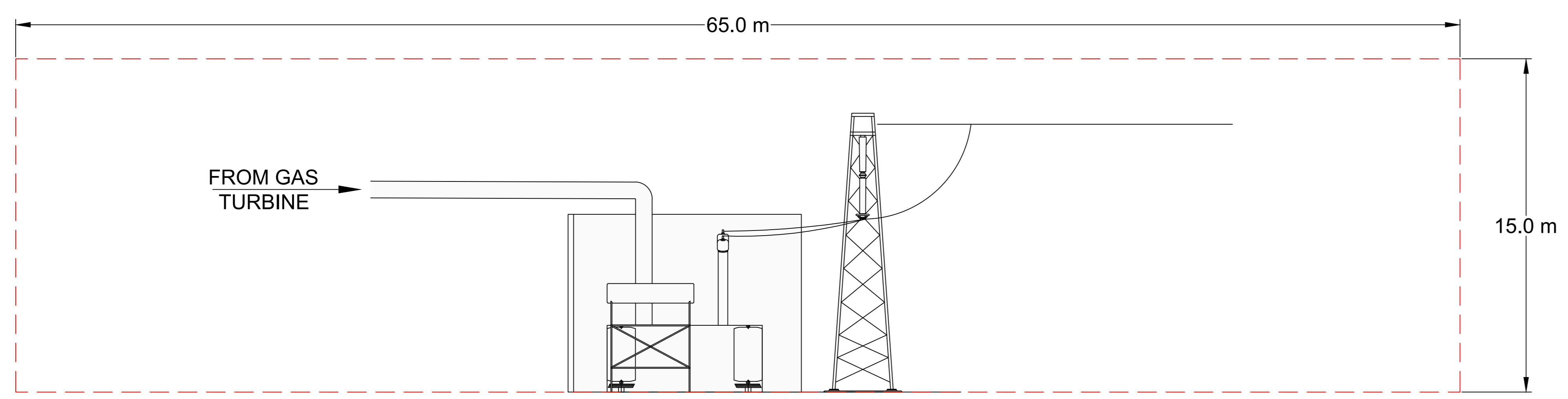
MILLBROOK  
 POWER PROJECT

INDICATIVE CONTROL ROOM  
 / OFFICE / WORKSHOP PLAN  
 AND ELEVATIONS Reg5(2)(o)  
 DOCUMENT REFERENCE 2.4

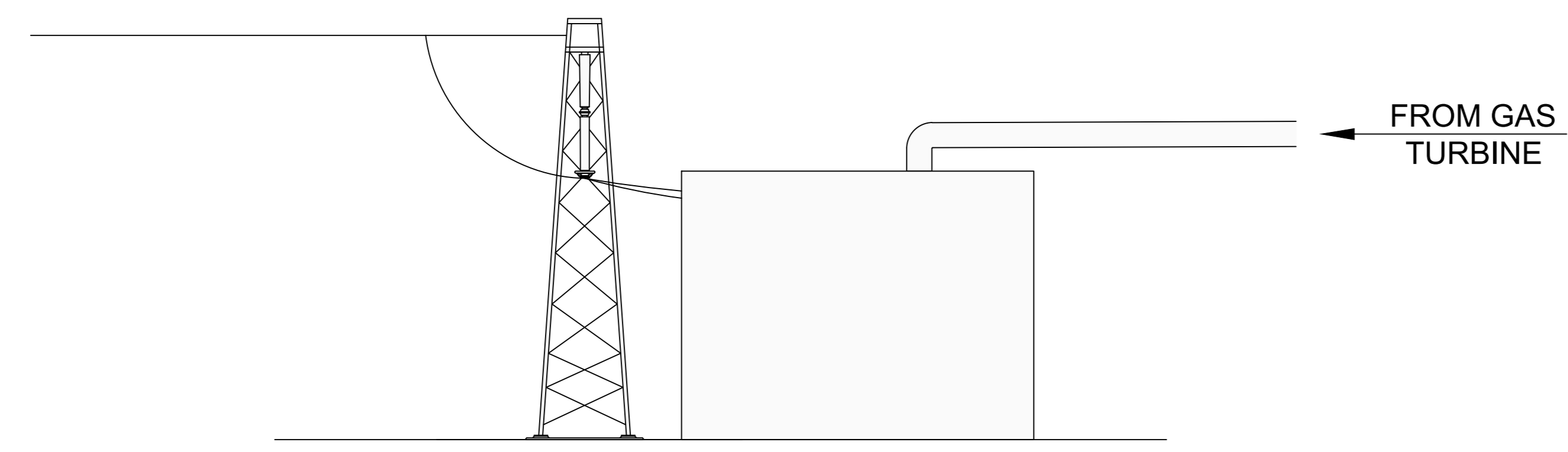
Drawn:	SPS	Checked:	SJS
Designed:	IMG	Approved:	IMG
Date:	20/06/2017	Scale:	1:100
Project Number:	70032619	Sheet:	1 OF 1
Revision:		Revision:	

70032619 FIGURE 8 D  
 © Copyright WSP UK Limited

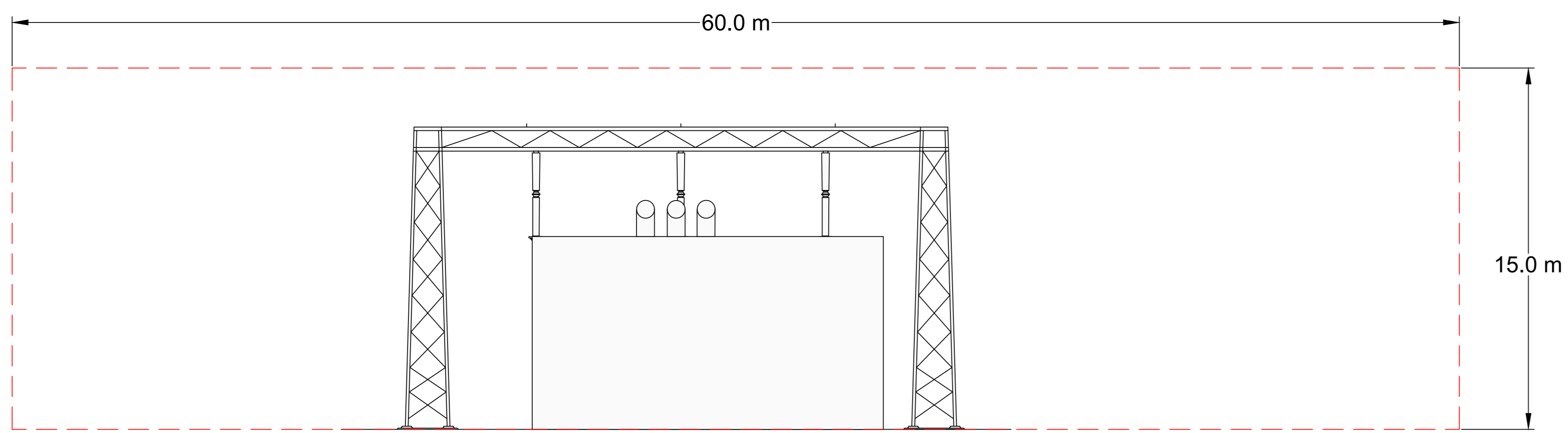
LEGEND  
 - - - MAXIMUM DIMENSIONS



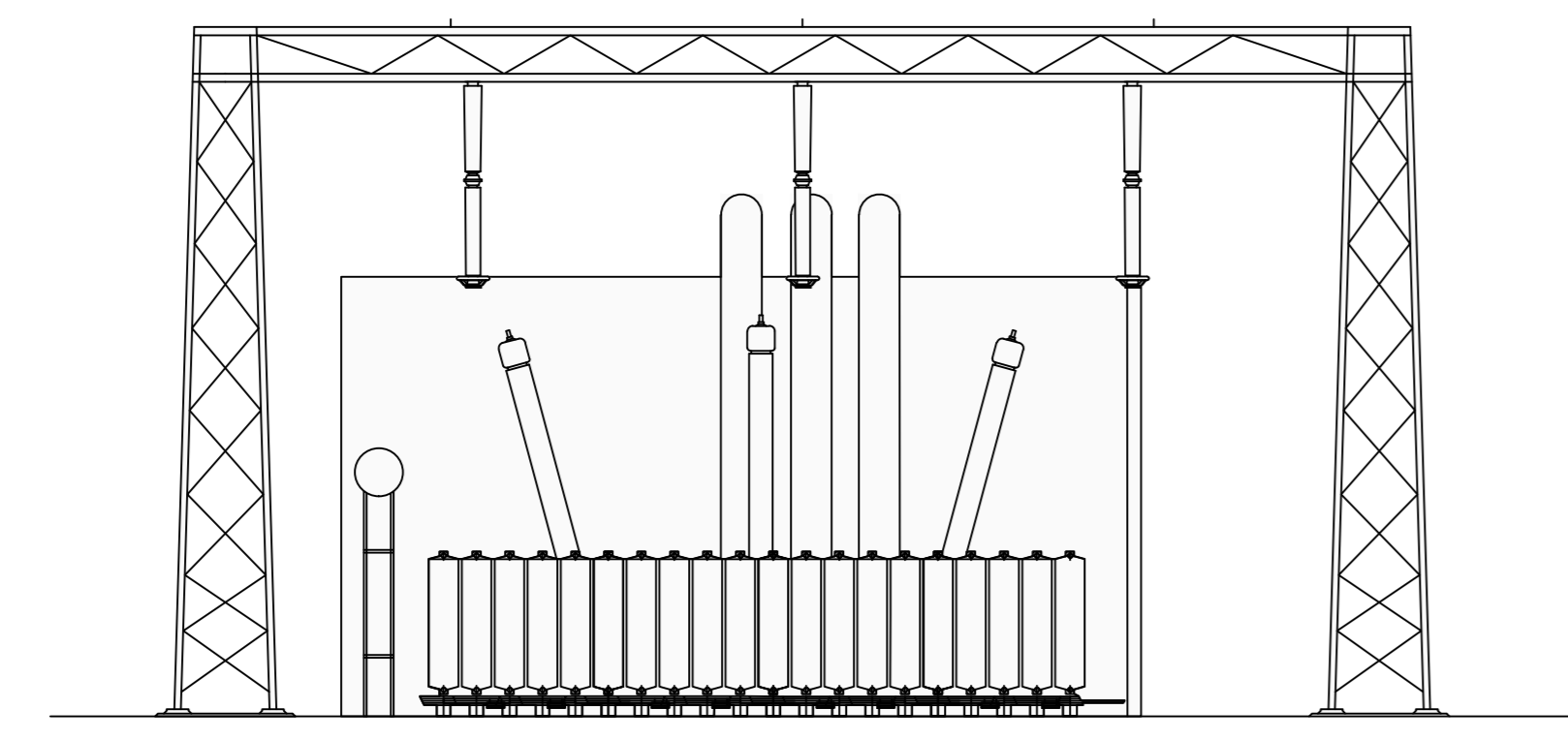
NORTH ELEVATION



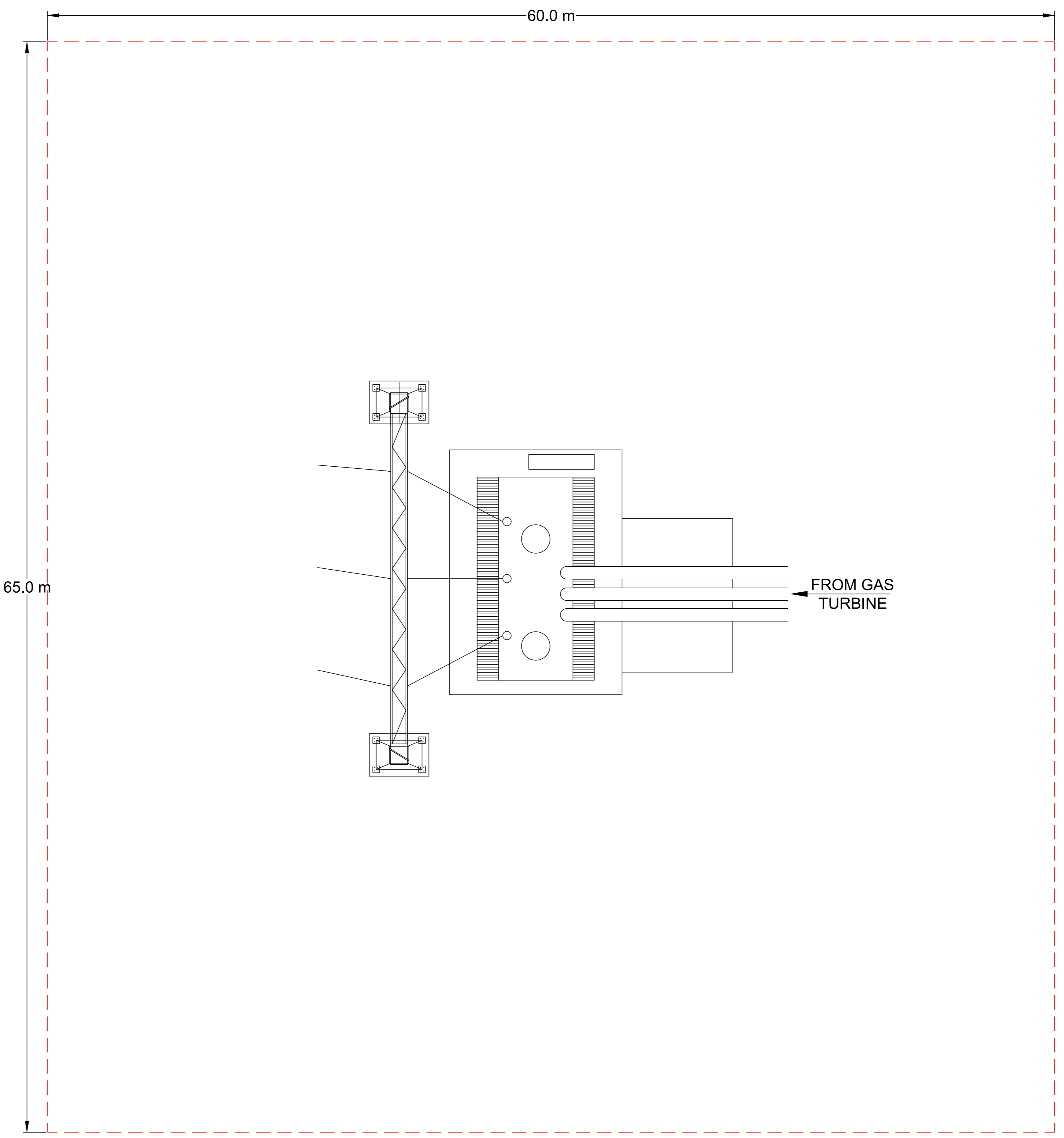
SOUTH ELEVATION



EAST ELEVATION



WEST ELEVATION



PLAN

C	08/10/17	TITLE UPDATED	SPS	SJS	MG
B	20/09/17	UPDATED LOGO	SPS	SJS	MG
A	20/08/17	FIRST ISSUE	SPS	SJS	MG
Rev	Date	Description	By	Chk	App

INDICATIVE



Westbrook Mills  
 Godminster  
 Surrey GU24 2JZ  
 Tel: 44-(0)1483-629400  
 Fax: 44-(0)1483-629899  
 web: www.wsp.com

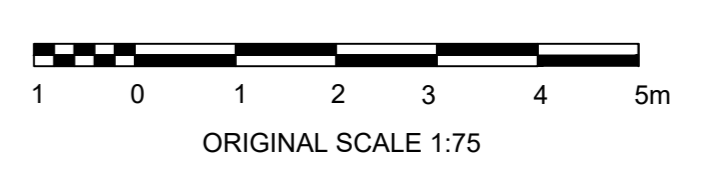


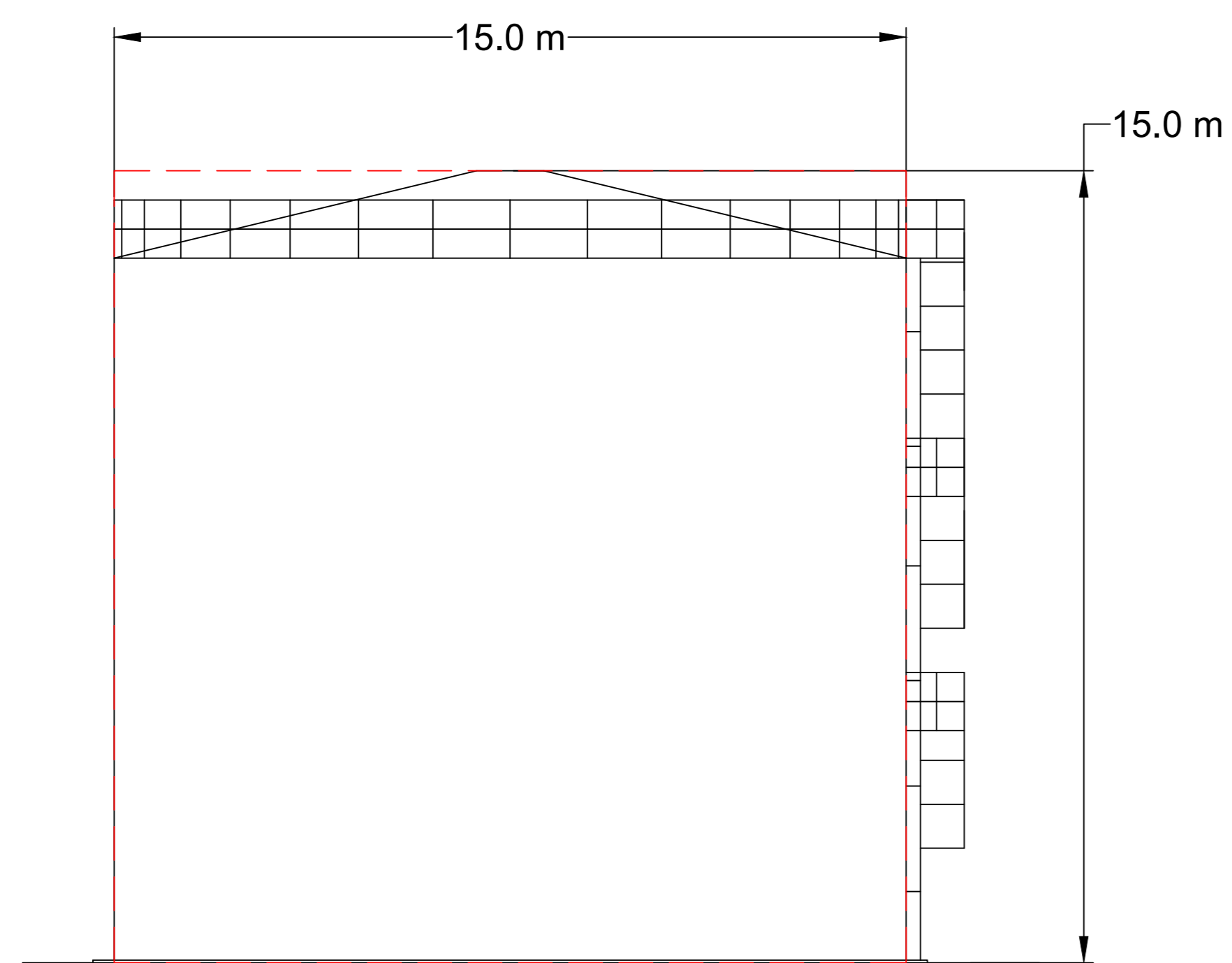
MILLBROOK  
 POWER PROJECT

INDICATIVE TRANSFORMER  
 AND GANTRY PLAN AND  
 ELEVATIONS Reg5(2)(o)  
 DOCUMENT REFERENCE 2.4

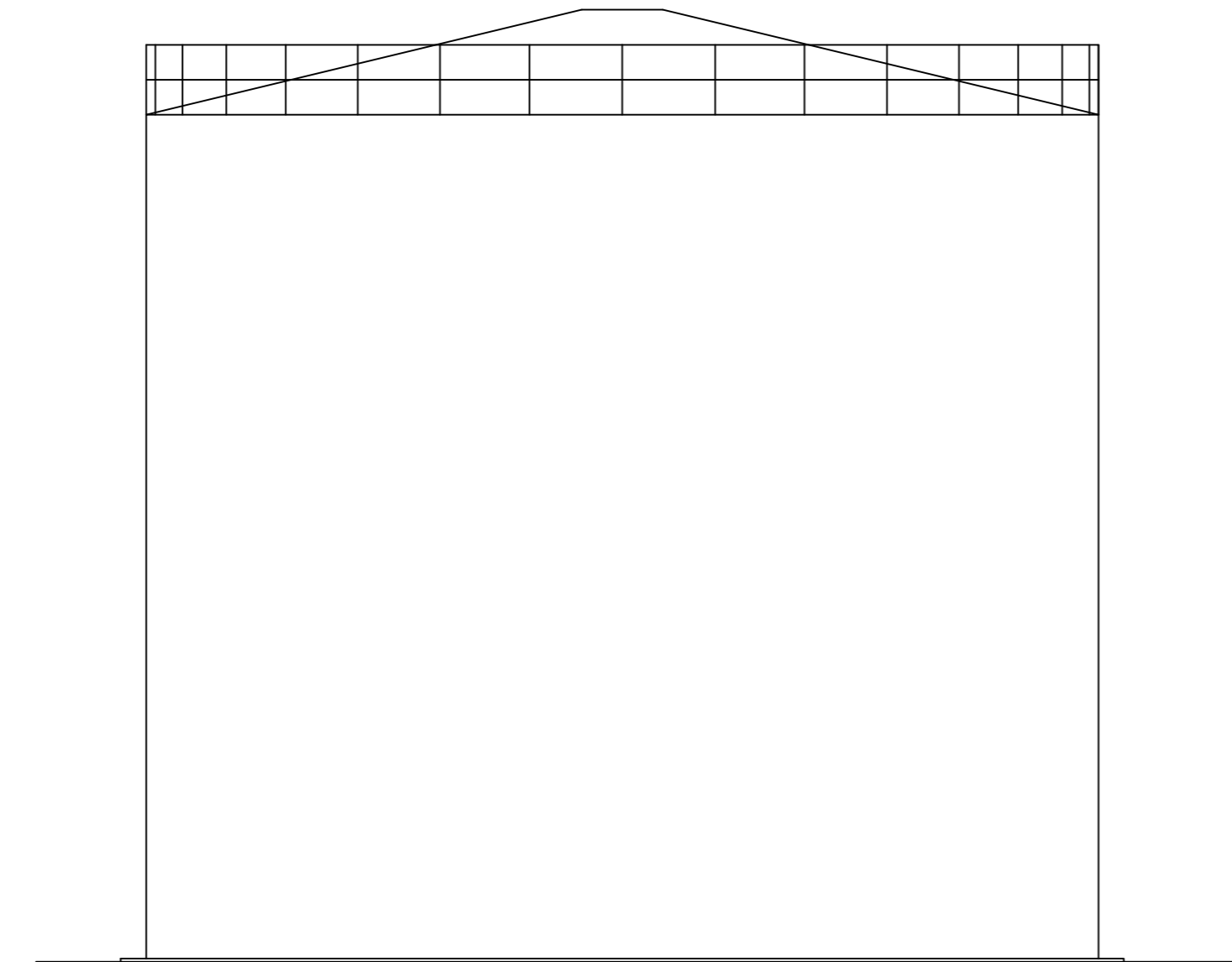
Drawn	SPS	Checked	SJS
Designed	IMG	Approved	IMG
Date	20/06/2017	Scale	1:75
Project Number	70032619	Drawing Number	AD
Sheet	1 OF 1	Revision	

70032619 FIGURE 9 C

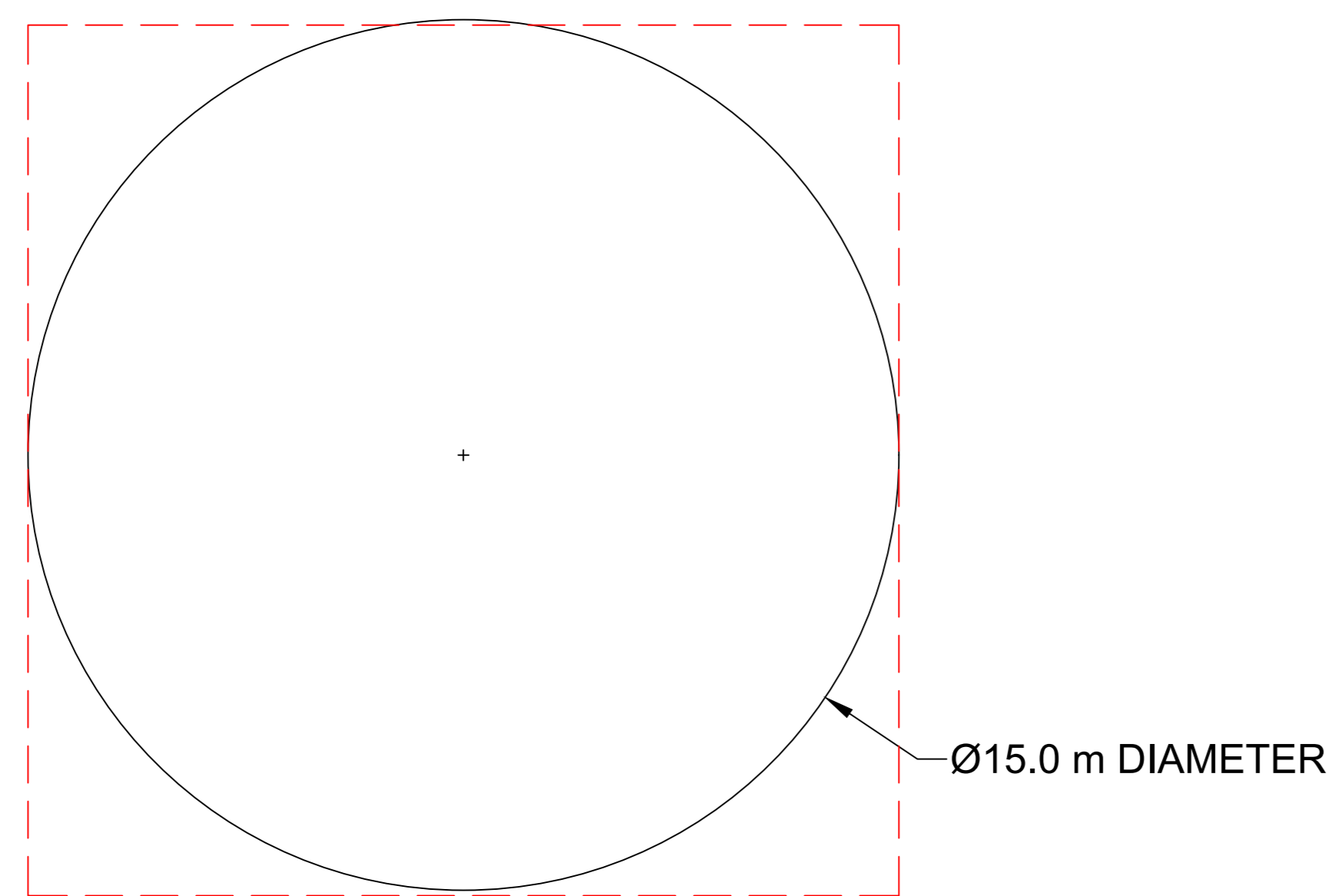




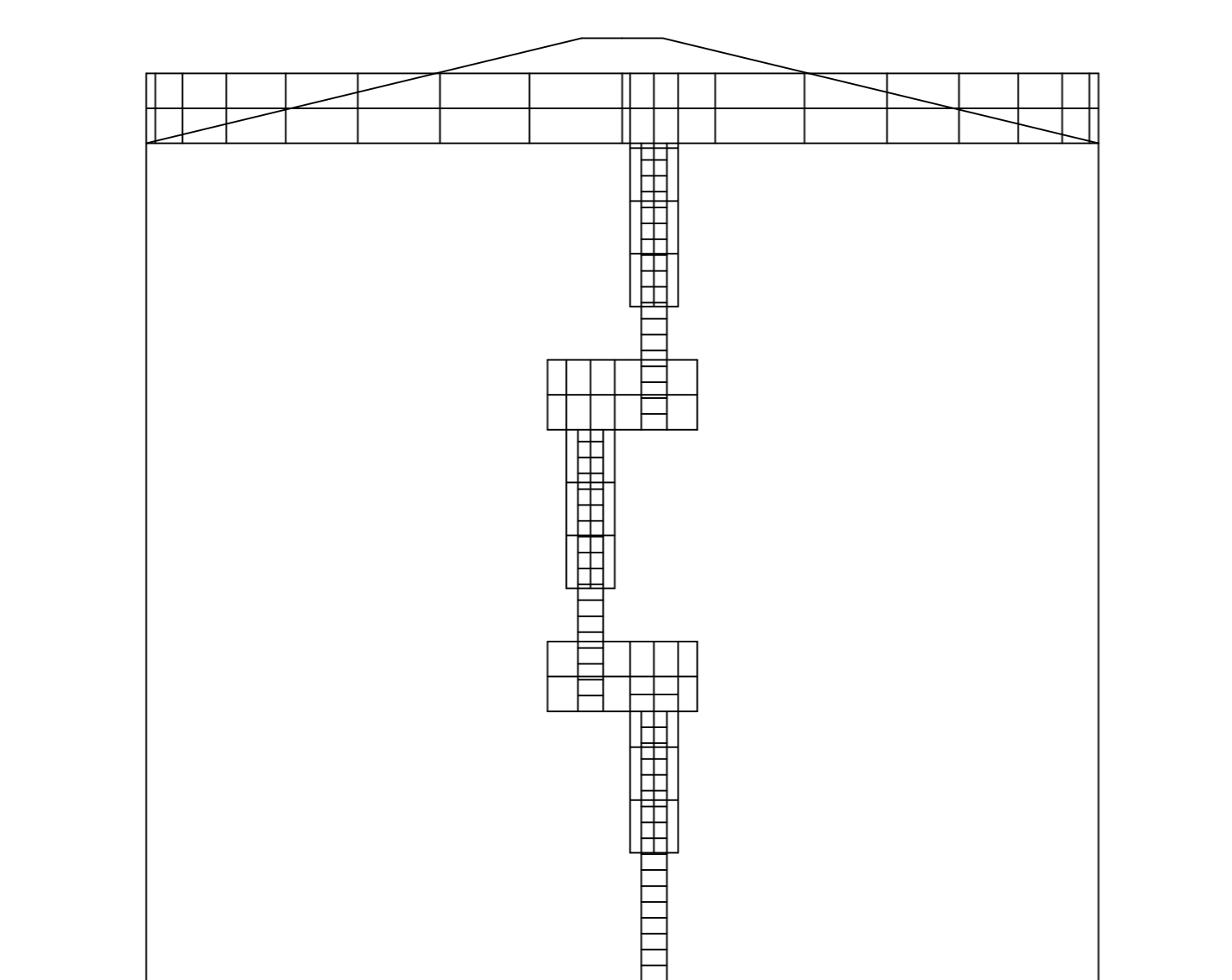
EAST/WEST ELEVATION



NORTH ELEVATION

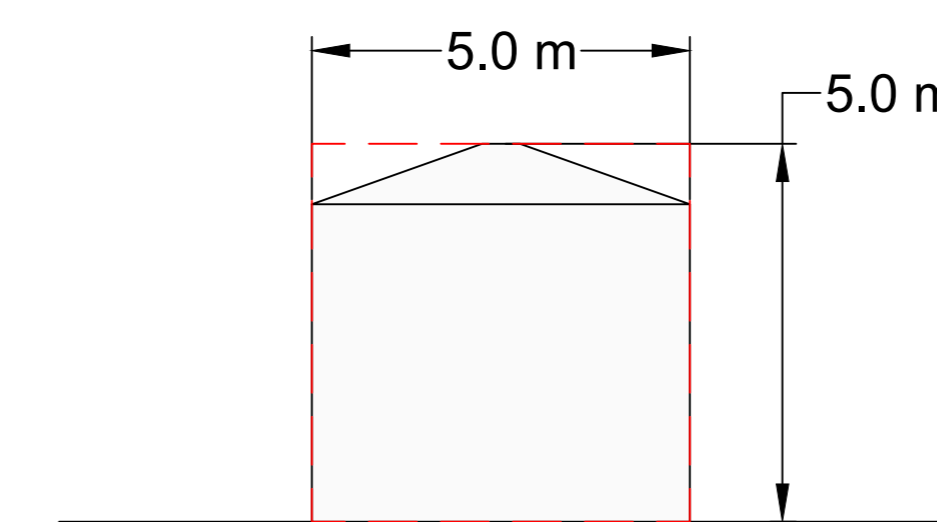
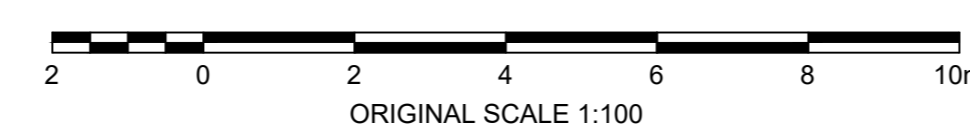


PLAN

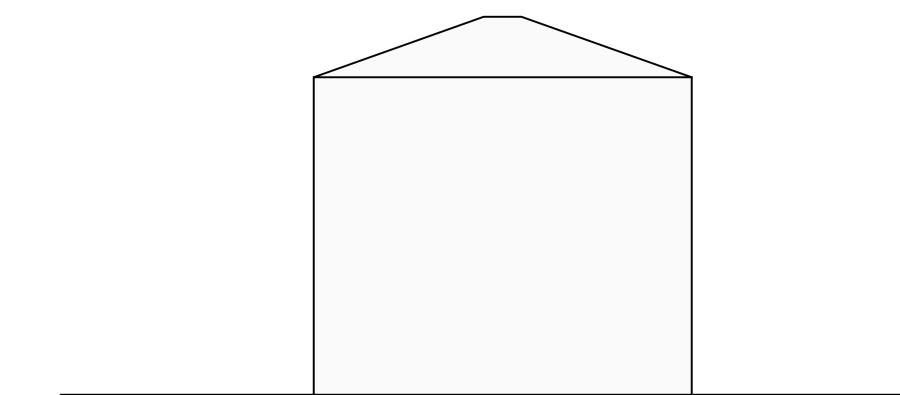


SOUTH ELEVATION

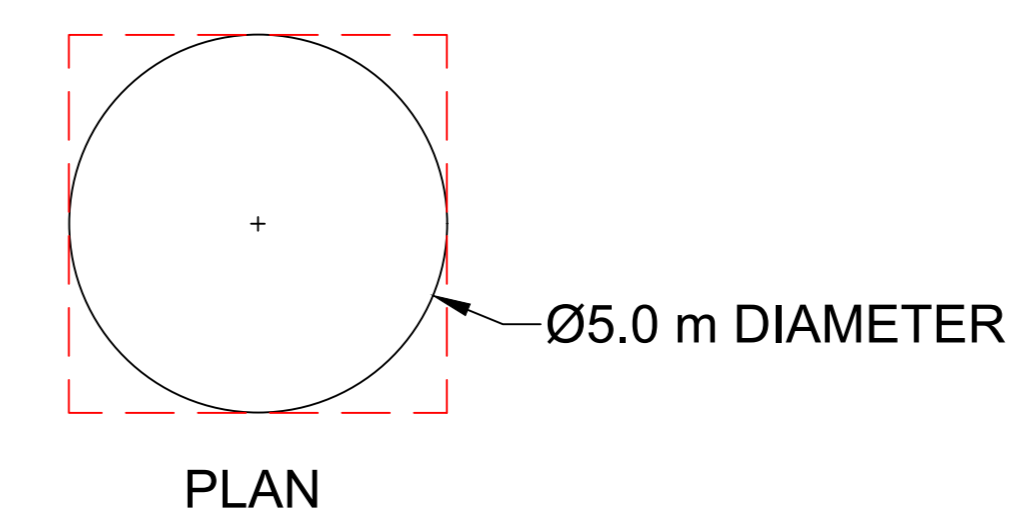
RAW/FIRE WATER TANK



NORTH/SOUTH ELEVATION

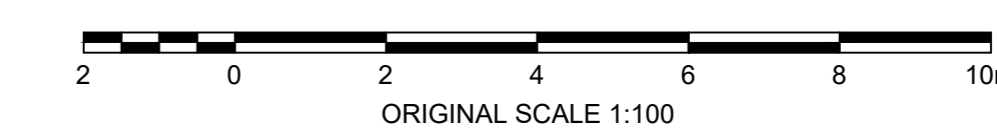


EAST/WEST ELEVATION



PLAN

DEMIN WATER TANK



LEGEND  
 --- MAXIMUM DIMENSIONS

C	08/10/17	TITLE UPDATED	SPS	SJS	MG
B	20/09/17	UPDATED LOGO	SPS	SJS	MG
A	20/09/17	FIRST ISSUE	SPS	SJS	MG
Rev	Date	Description	By	Chk	App

INDICATIVE



Westbrook Mills  
 Godminster  
 Surrey GU24 2LZ  
 Tel: 44-(0)1483-629400  
 Fax: 44-(0)1483-629899  
 www.wsp.com



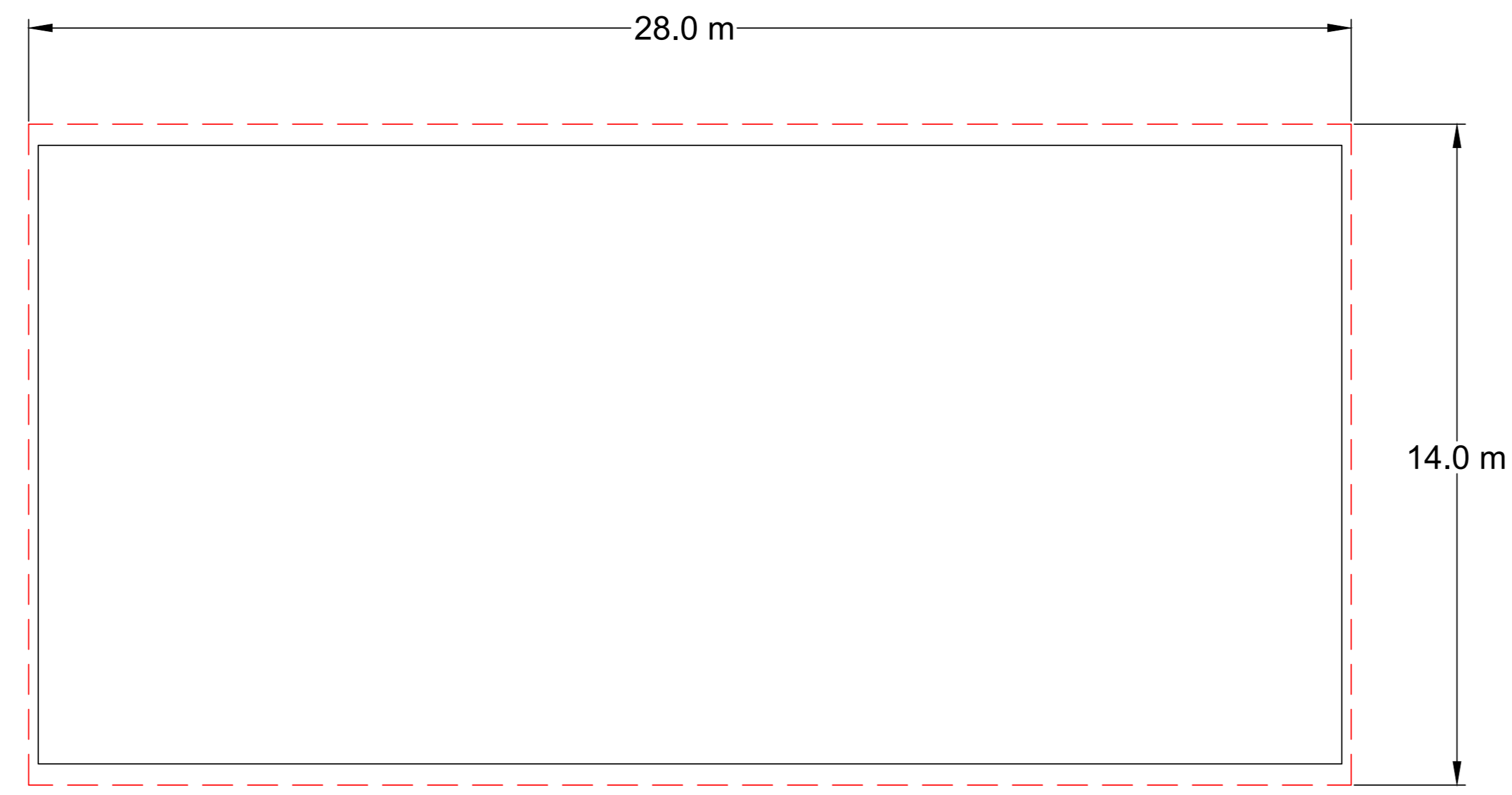
Site/Project  
**MILLBROOK  
 POWER PROJECT**

Title  
**INDICATIVE DEMINERALISED  
 WATER TANK AND RAW/FIRE  
 WATER TANK PLAN AND  
 ELEVATIONS Reg5(2)(o)  
 DOCUMENT REFERENCE 2.4**

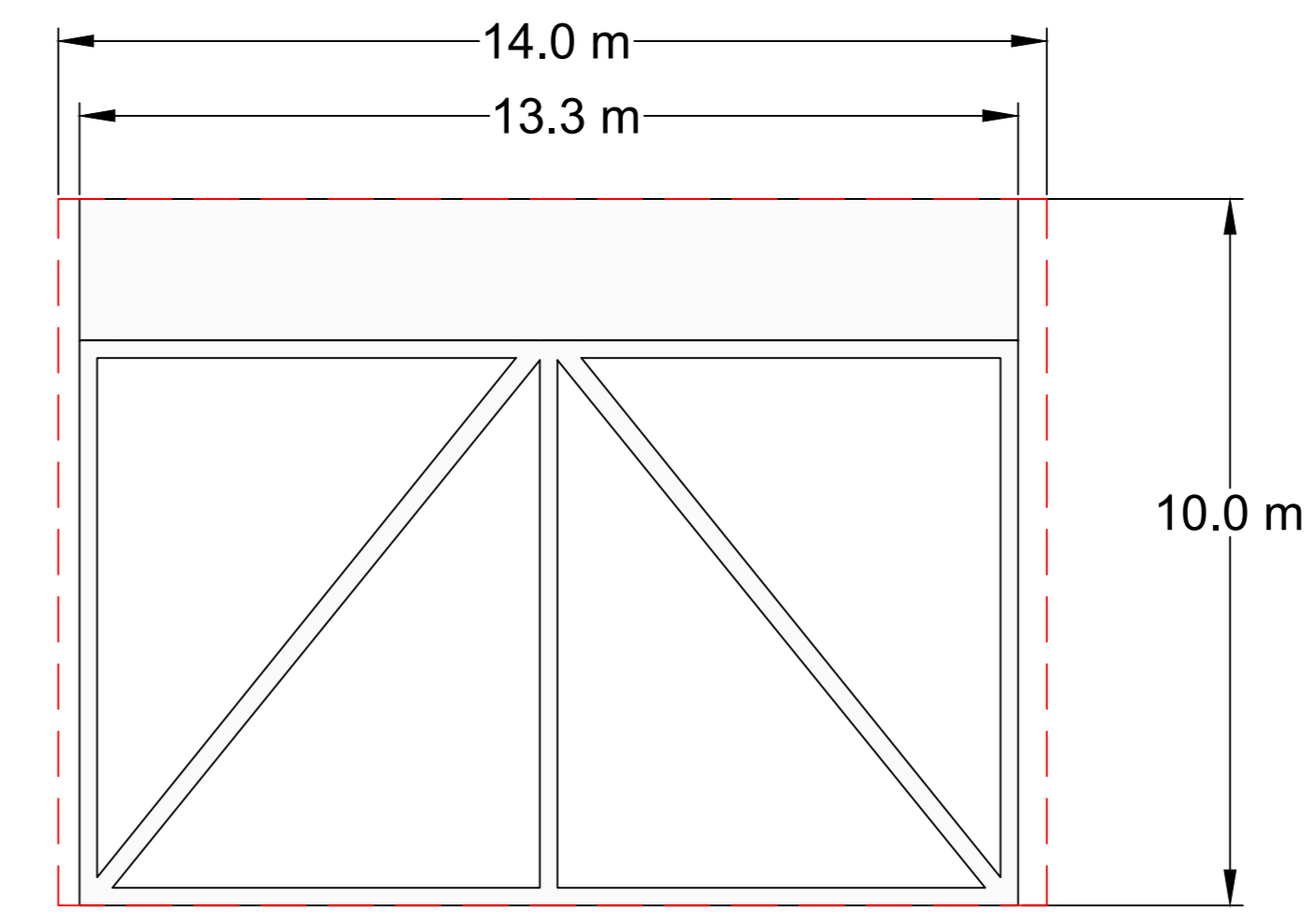
Drawn	SPS	Checked	SJS
Designed	IMG	Approved	IMG
Date	20/06/2017	Scale	1:100
Sheet Number	AD	Sheet	1 OF 1
Project Number	70032619	Drawing Number	FIGURE 10

70032619 **FIGURE 10** C  
 © Copyright WSP UK Limited

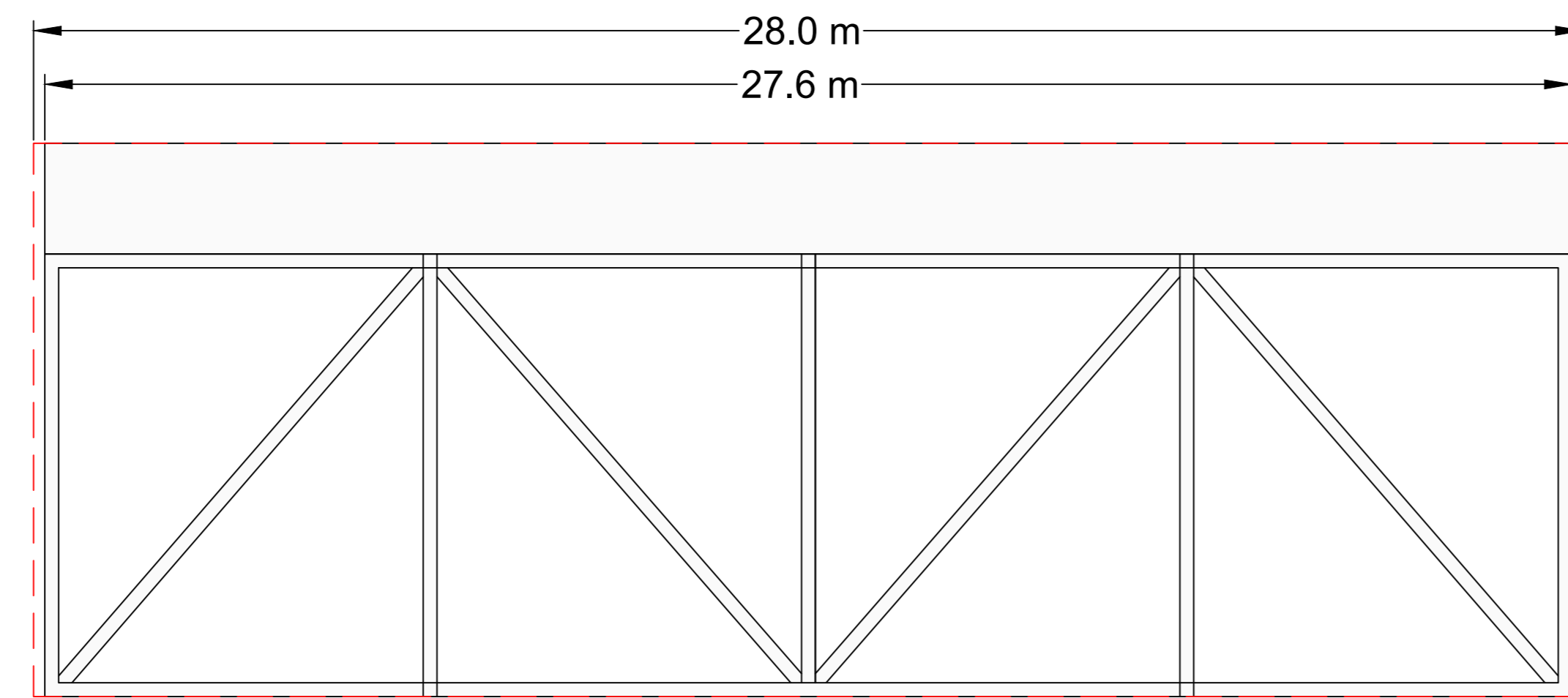
LEGEND  
 --- MAXIMUM DIMENSIONS



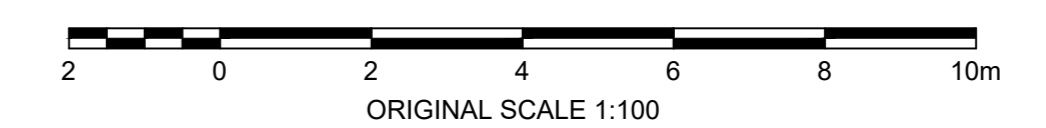
PLAN



EAST/WEST ELEVATION



NORTH/SOUTH ELEVATION



C	08/10/17	TITLE UPDATED	SPS	SJS	IMG
B	20/09/17	UPDATED LOGO	SPS	SJS	IMG
A	20/09/17	FIRST ISSUE	SPS	SJS	IMG
Rev	Date	Description	By	Chk	App

INDICATIVE



Westbrook Mills  
 Godminster  
 Surrey GU7 2JZ  
 Tel: 44-(0)1483-628400  
 Fax: 44-(0)1483-628889  
 web: www.wsp.com

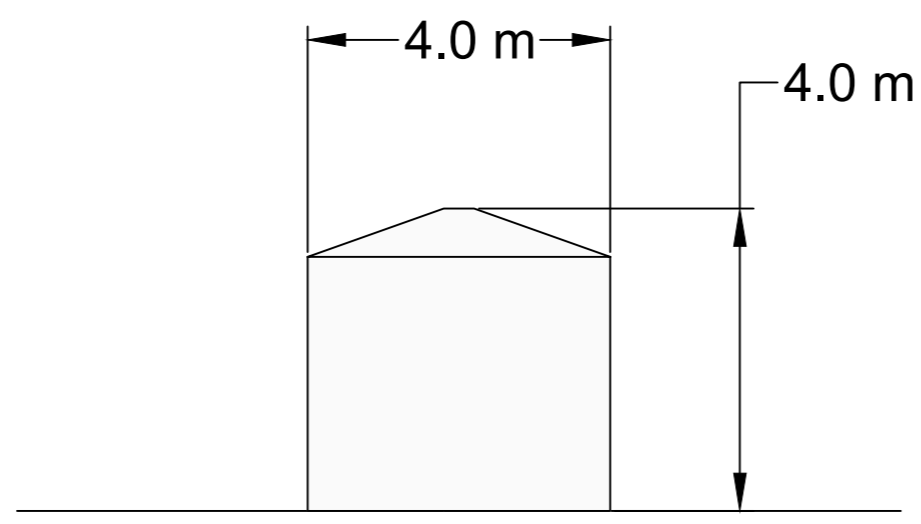


MILLBROOK  
 POWER PROJECT

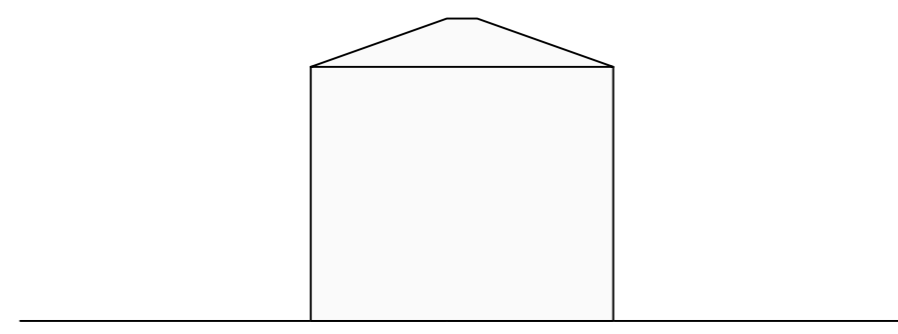
INDICATIVE FIN FAN COOLER  
 PLAN AND ELEVATIONS  
 Reg5(2)(o)  
 DOCUMENT REFERENCE 2.4

Drawn	SPS	Checked	SJS
Designed	IMG	Approved	IMG
Date	20/06/2017	Scale	1:100
Sheet Number	AD	Sheet	1 OF 1
Client Number	70032619	Drawing Number	FIGURE 11

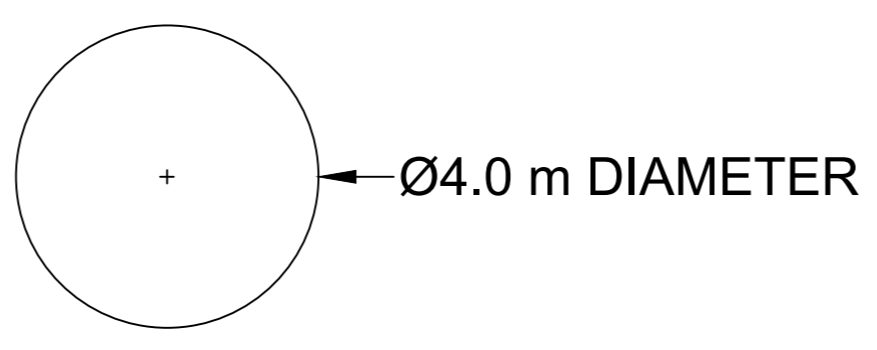
70032619 FIGURE 11 C  
 © Copyright WSP UK Limited



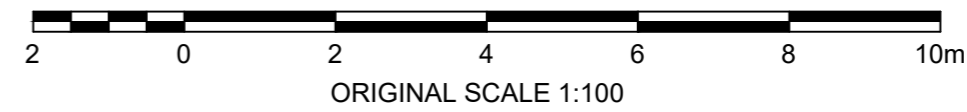
NORTH/SOUTH ELEVATION



EAST/WEST ELEVATION




PLAN



Rev	Date	Description	By	Chk	App
C	06/10/2017	TITLE LOGO	SPS	SJS	IMG
B	20/06/2017	UPDATED LOGO	SPS	SJS	IMG
A	20/06/2017	FIRST ISSUE	SPS	SJS	IMG


**INDICATIVE**



Westbrook Mills  
Godalming  
Surrey GU7 2AZ

Tel: 44-(0)1483-528400  
Fax: 44-(0)1483-528989  
wsp.com

Client:



Site/Project:

**MILLBROOK POWER PROJECT**

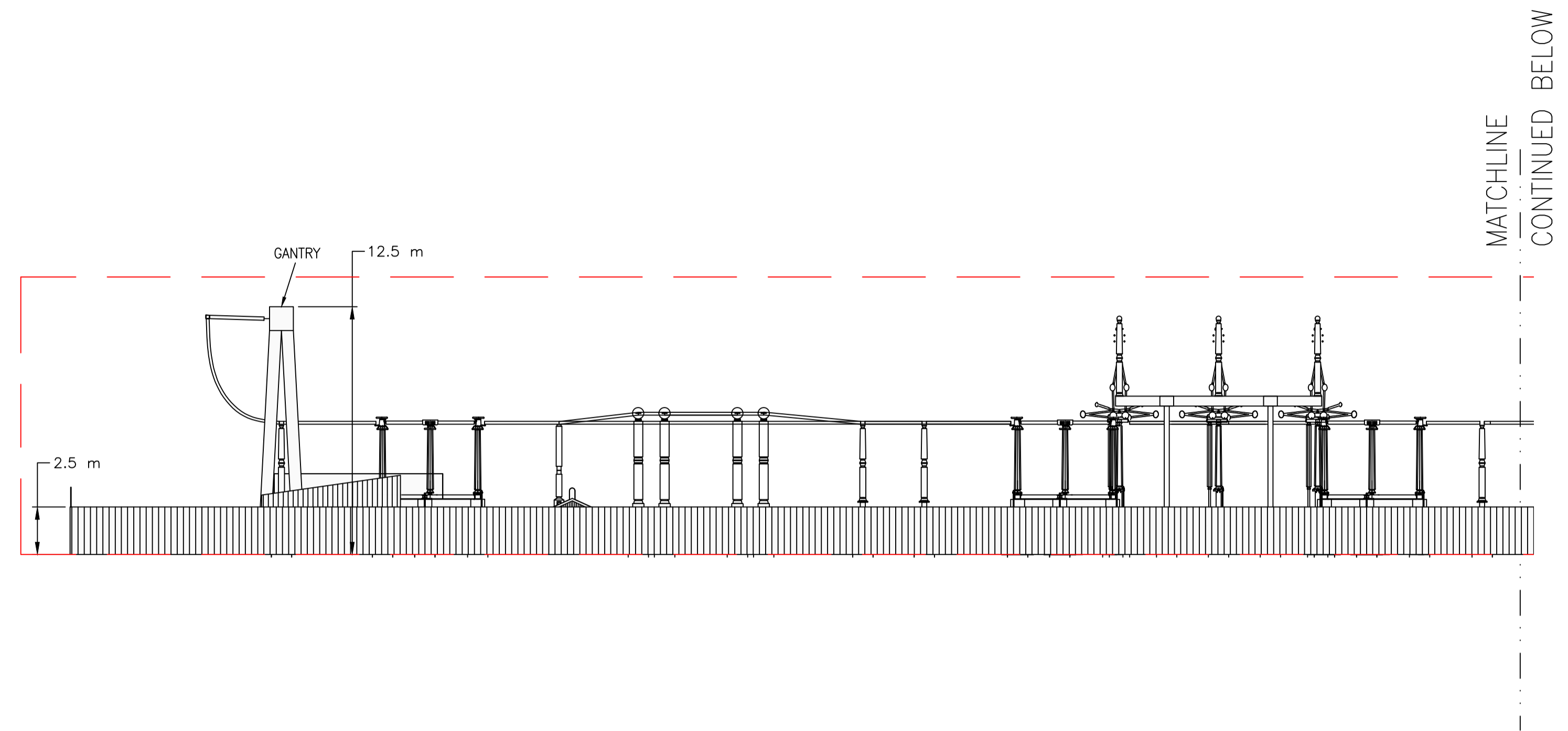
Title:

**INDICATIVE DIESEL TANK  
PLAN AND ELEVATIONS  
Reg5(2)(o)  
DOCUMENT REFERENCE 2.4**

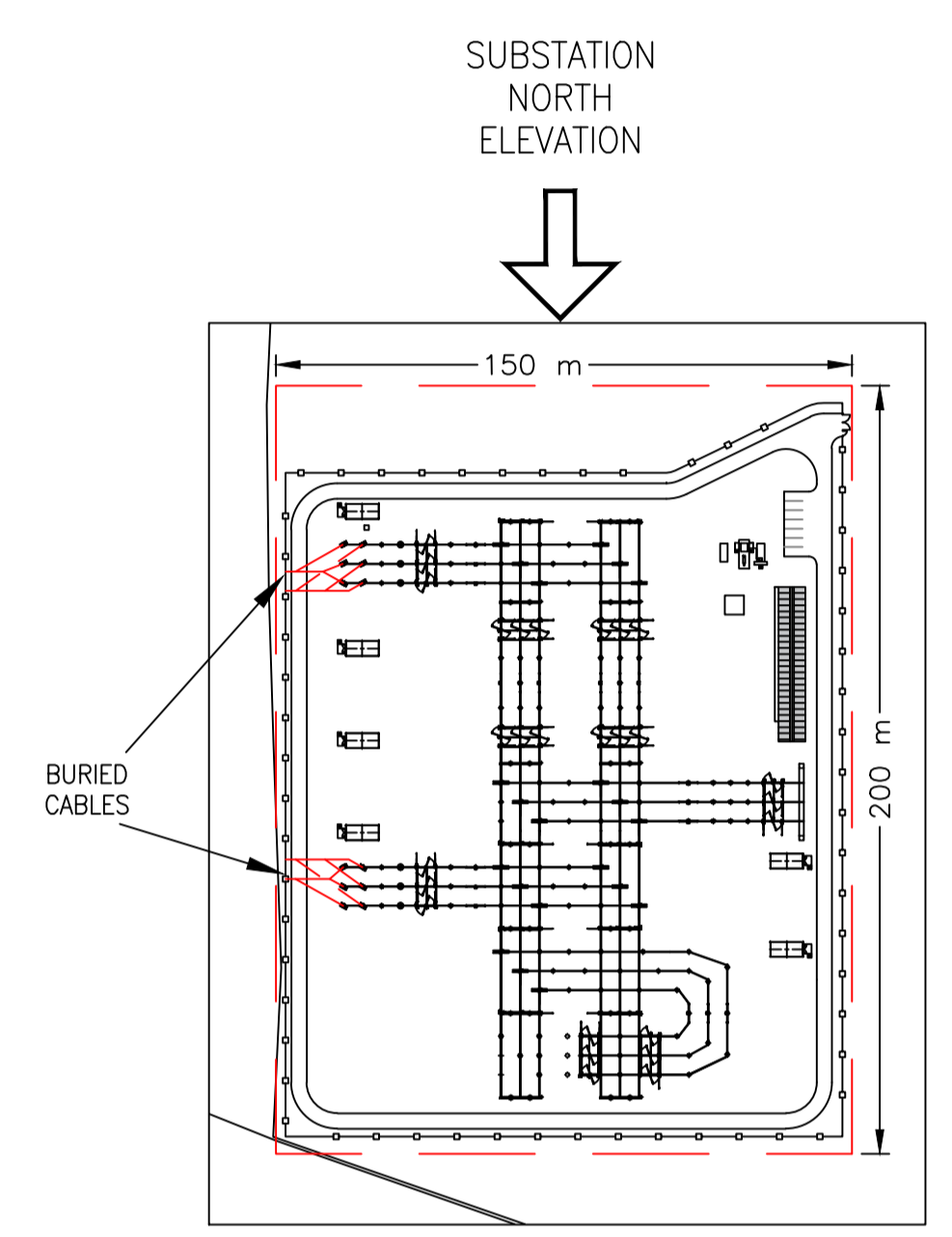
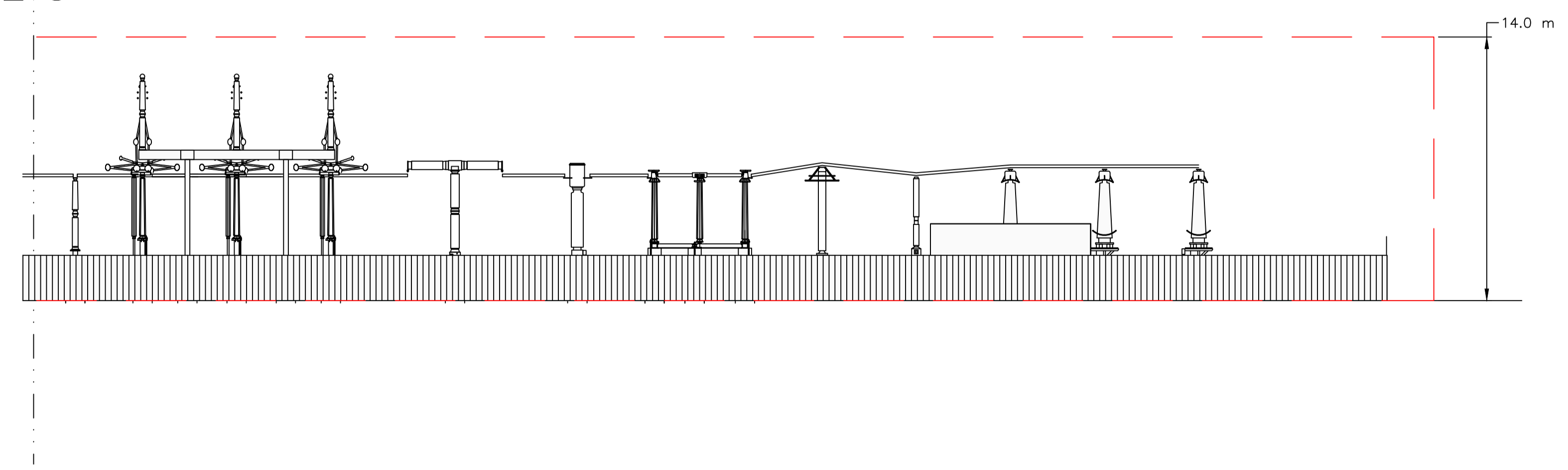
Drawn: SPS	Checked: SJS
Designed: IMG	Approved: IMG
Date: 20/06/2017	Scale: 1:100
Project Number: 70032619	Sheet: 1 OF 1

70032619	FIGURE 12	C
----------	-----------	---

© Copyright WSP UK Limited



MATCHLINE  
 CONTINUED FROM ABOVE



KEY PLAN  
 NOT TO SCALE



ORIGINAL SCALE 1:200

2	06/10/17	TITLE UPDATED	SPS	SJS	IMG
1	20/09/17	LOGOS UPDATED	SPS	SJS	IMG
0	18/02/15	FIRST ISSUE	SPS	RAB	JMP
Rev	Date	Description	By	Chk	App

INDICATIVE



Westbrook Mills  
 Godalming  
 Surrey GU7 2AZ  
 Tel: 44-(0)1483-528400  
 Fax: 44-(0)1483-528989  
 wsp.com



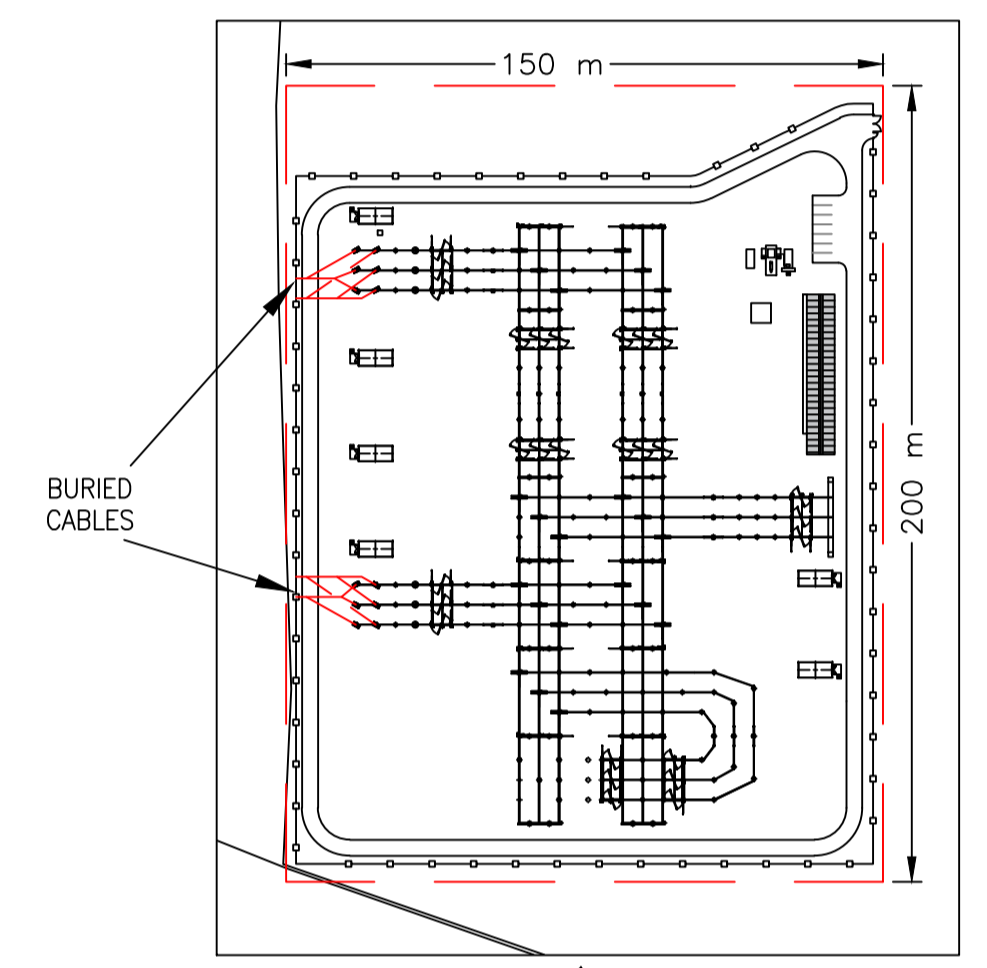
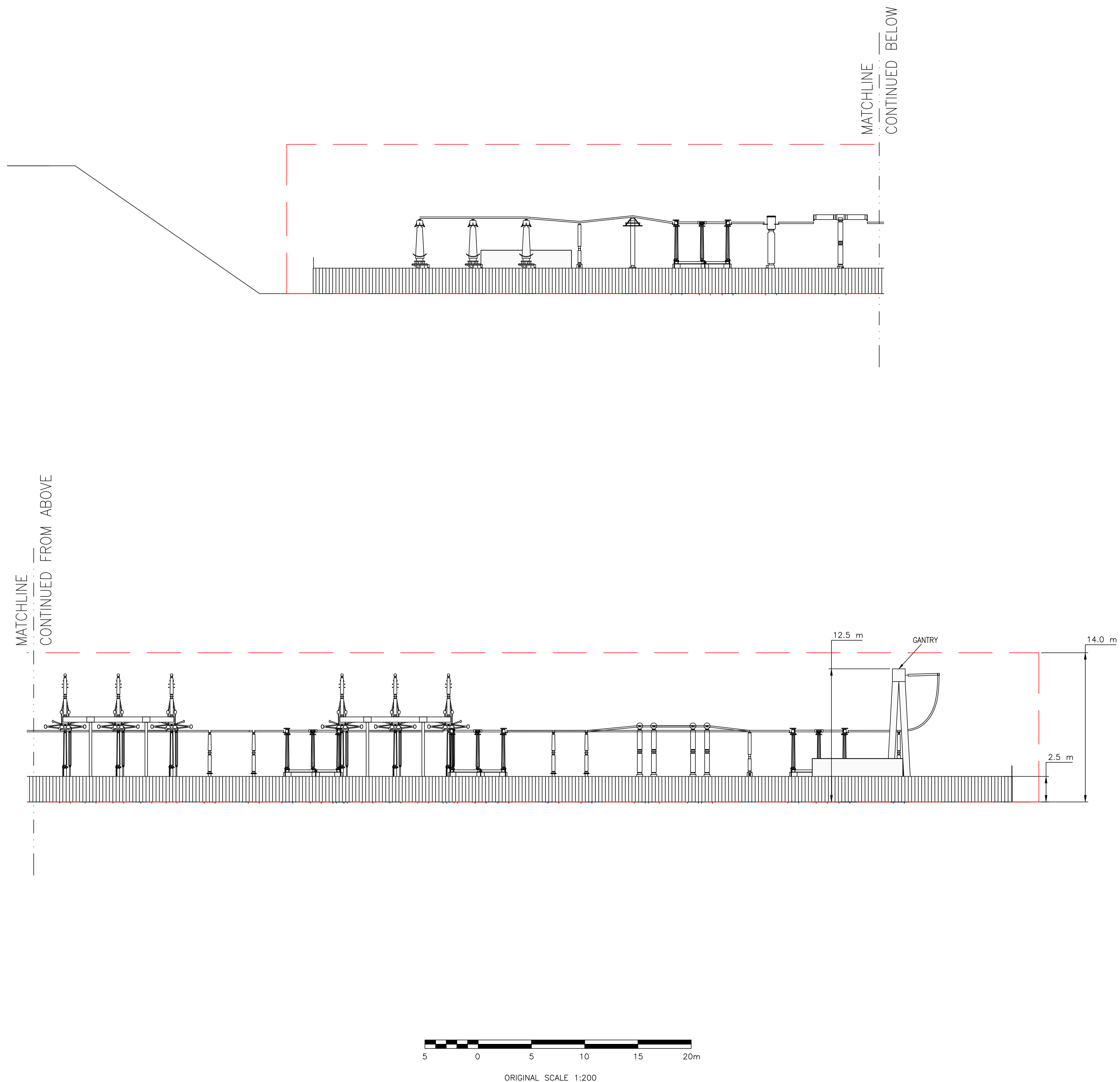
Client:  
 Site/Project:  
**MILLBROOK  
 POWER  
 PROJECT**

Title:  
**INDICATIVE SUBSTATION  
 ELEVATION NORTH Reg5(2)(o)  
 DOCUMENT REFERENCE 2.4**

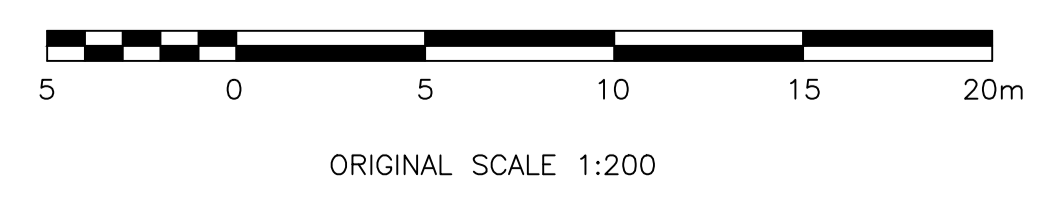
Drawn: SPS	Checked: RAB
Designed: RAB	Approved: JMP
Date: 18/02/2015	Scale: 1:200
Project Number:	Drawing Number:
70032619	FIGURE 13
	2



LEGEND  
 - - - MAXIMUM DIMENSIONS



KEY PLAN  
 NOT TO SCALE  
 SUBSTATION  
 SOUTH  
 ELEVATION



2	06/10/17	TITLE UPDATED	SPS	SJS	IMG
1	20/09/17	LOGOS UPDATED	SPS	SJS	IMG
0	18/02/15	FIRST ISSUE	SPS	RAB	JMP
Rev	Date	Description	By	Chk	App

INDICATIVE



Westbrook Mills  
 Godalming  
 Surrey GU7 2AZ  
 Tel: 44-(0)1483-528400  
 Fax: 44-(0)1483-528989  
 wsp.com



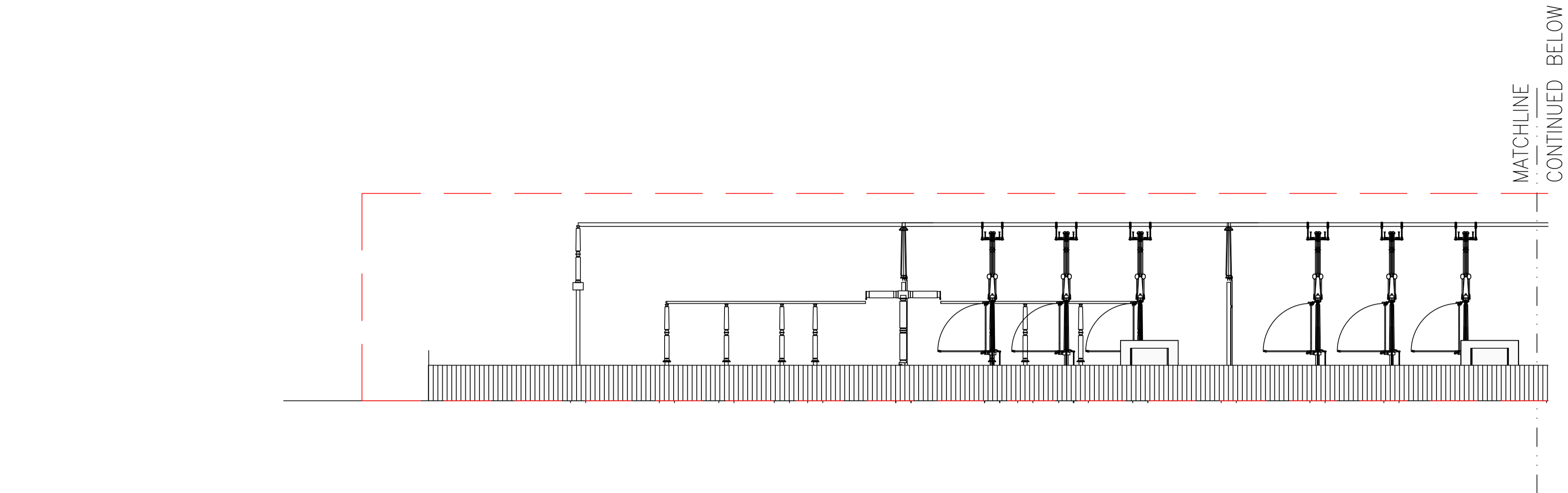
Site/Project:  
**MILLBROOK  
 POWER  
 PROJECT**

Title:  
**INDICATIVE SUBSTATION  
 ELEVATION SOUTH Reg5(2)(o)  
 DOCUMENT REFERENCE 2.4**

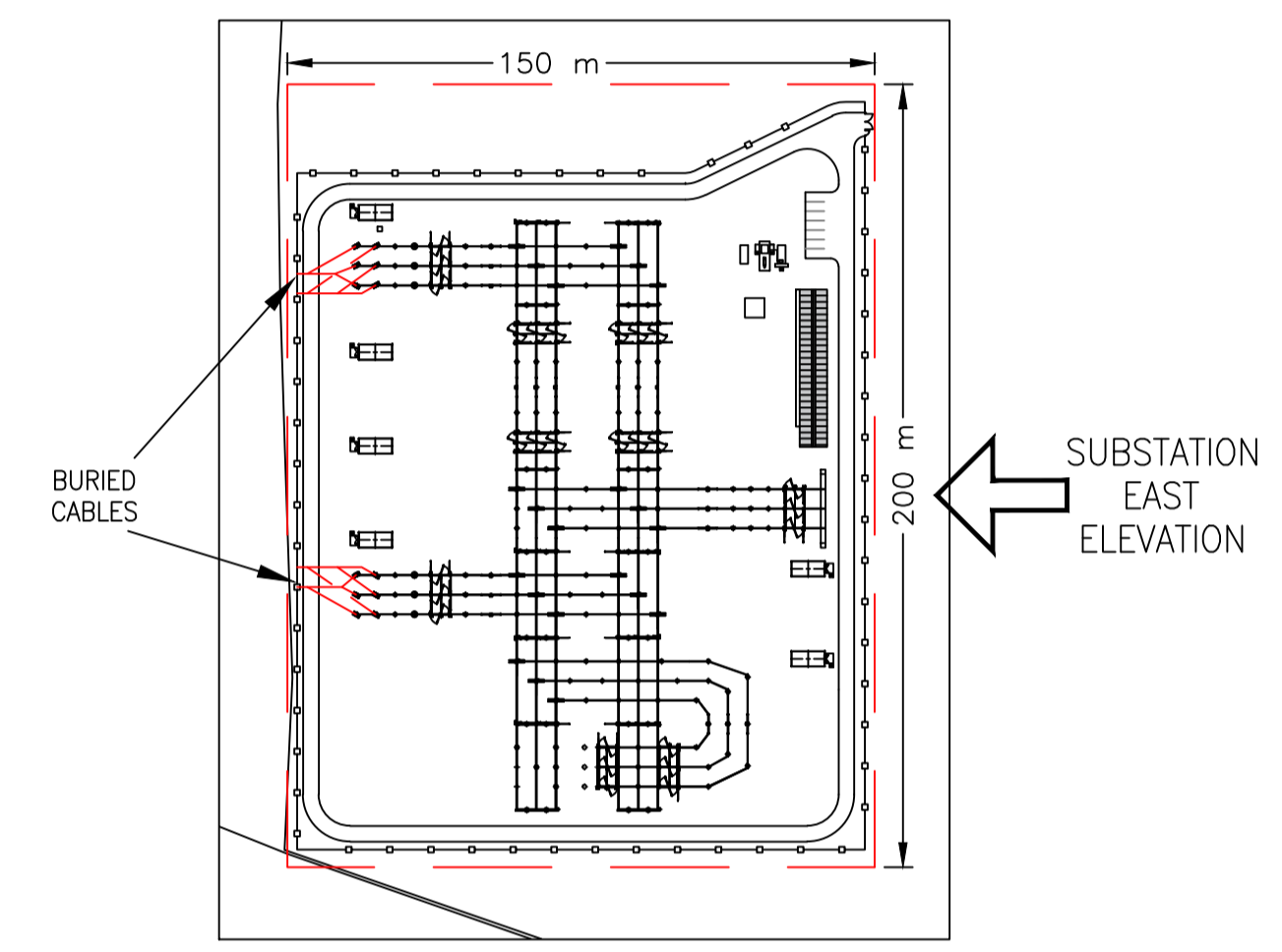
Drawn: SPS	Checked: RAB
Designed: RAB	Approved: JMP
Date: 18/02/2015	Scale: 1:200
Project Number:	Drawing Number:
Revision:	

**70032619** **FIGURE 14** **2**

LEGEND  
 --- MAXIMUM DIMENSIONS

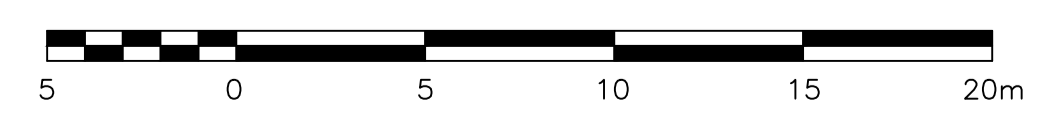
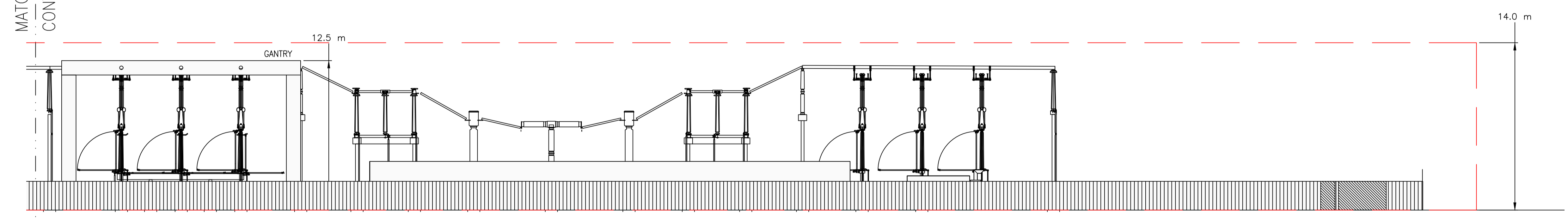


MATCHLINE  
 CONTINUED BELOW



KEY PLAN  
 NOT TO SCALE

MATCHLINE  
 CONTINUED FROM ABOVE



ORIGINAL SCALE 1:200

2	06/10/17	TITLE UPDATED	SPS	SJS	IMG
1	20/09/17	LOGOS UPDATED	SPS	SJS	IMG
0	18/02/15	FIRST ISSUE	SPS	RAB	JMP
Rev	Date	Description	By	Chk	App

**INDICATIVE**

Westbrook Mills  
Godalming  
Surrey GU7 2AZ

Tel: 44-(0)1483-528400  
Fax: 44-(0)1483-528989  
wsp.com

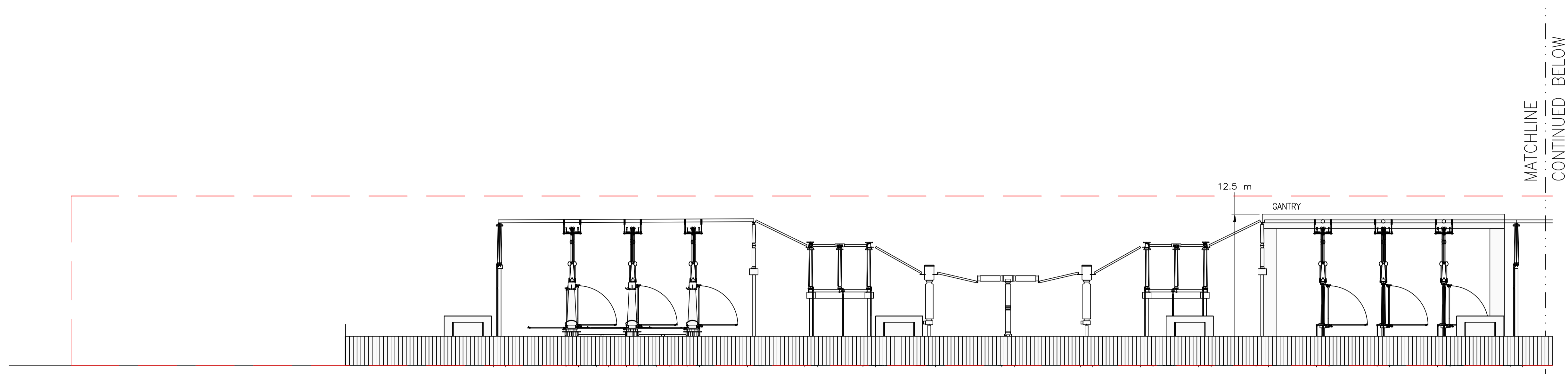
Client:

Site/Project:  
**MILLBROOK  
 POWER  
 PROJECT**

Title:  
**INDICATIVE SUBSTATION  
 ELEVATION EAST Reg5(2)(o)  
 DOCUMENT REFERENCE 2.4**

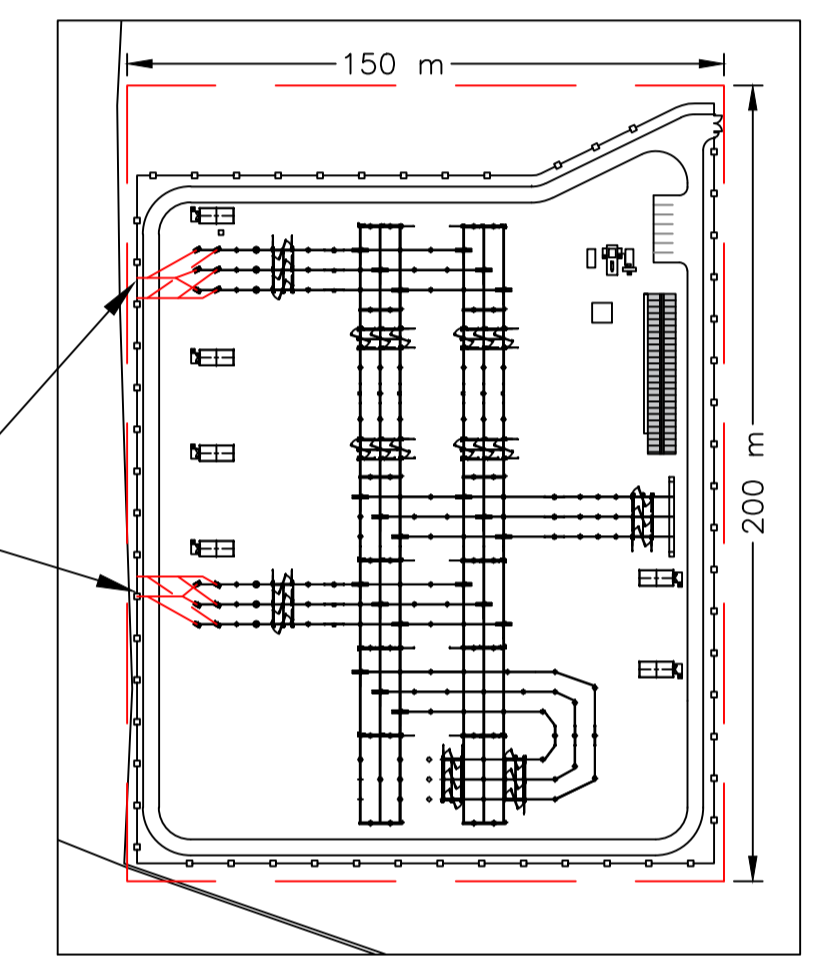
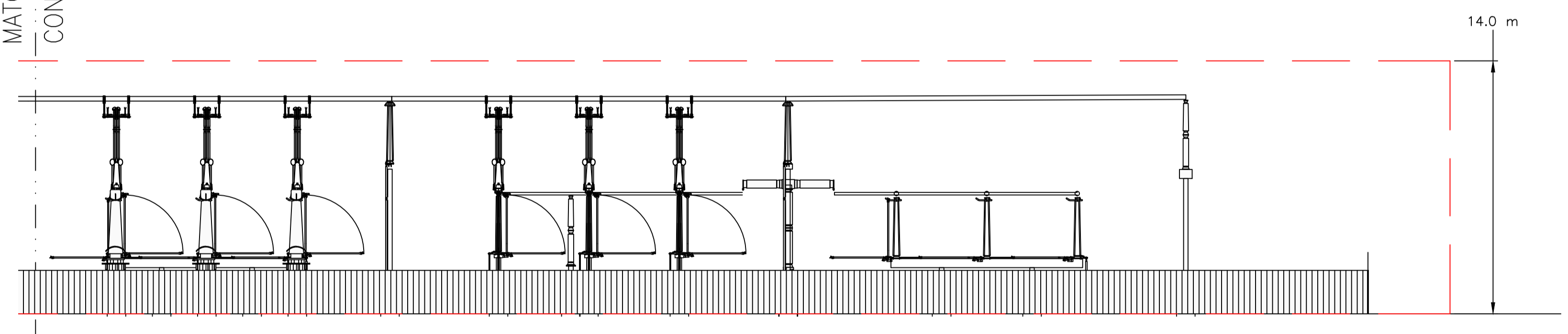
Drawn: SPS	Checked: RAB
Designed: RAB	Approved: JMP
Date: 18/02/2015	Scale: 1:200
Project Number: 70032619	Drawing Number: FIGURE 15
	Revision: 2

© Copyright WSP UK Limited

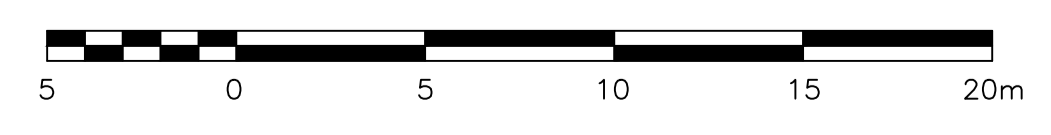


MATCHLINE  
CONTINUED BELOW

MATCHLINE  
CONTINUED FROM ABOVE



KEY PLAN  
NOT TO SCALE



ORIGINAL SCALE 1:200

2	06/10/17	TITLE UPDATED	SPS	SJS	IMG
1	20/09/17	LOGOS UPDATED	SPS	SJS	IMG
0	18/02/15	FIRST ISSUE	SPS	RAB	JMP
Rev	Date	Description	By	Chk	App

**INDICATIVE**

Westbrook Mills  
Godalming  
Surrey GU7 2AZ

Tel: 44-(0)1483-528400  
Fax: 44-(0)1483-528989  
wsp.com

Client:

Site/Project:

**MILLBROOK  
POWER  
PROJECT**

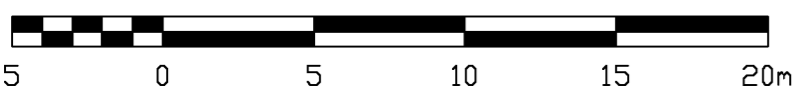
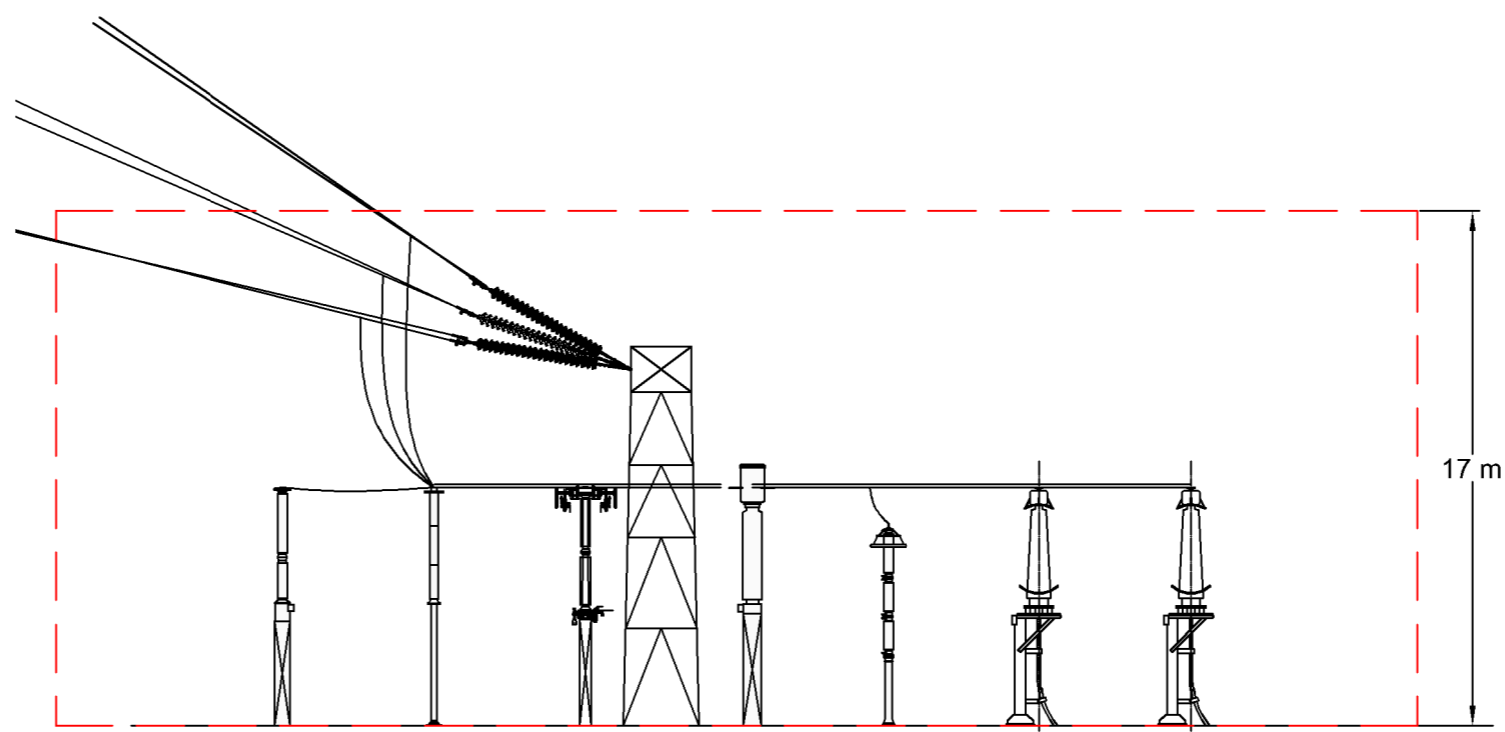
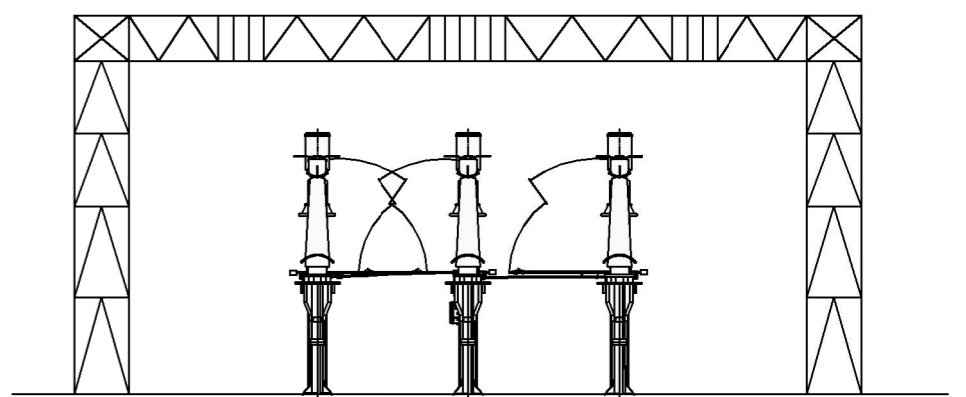
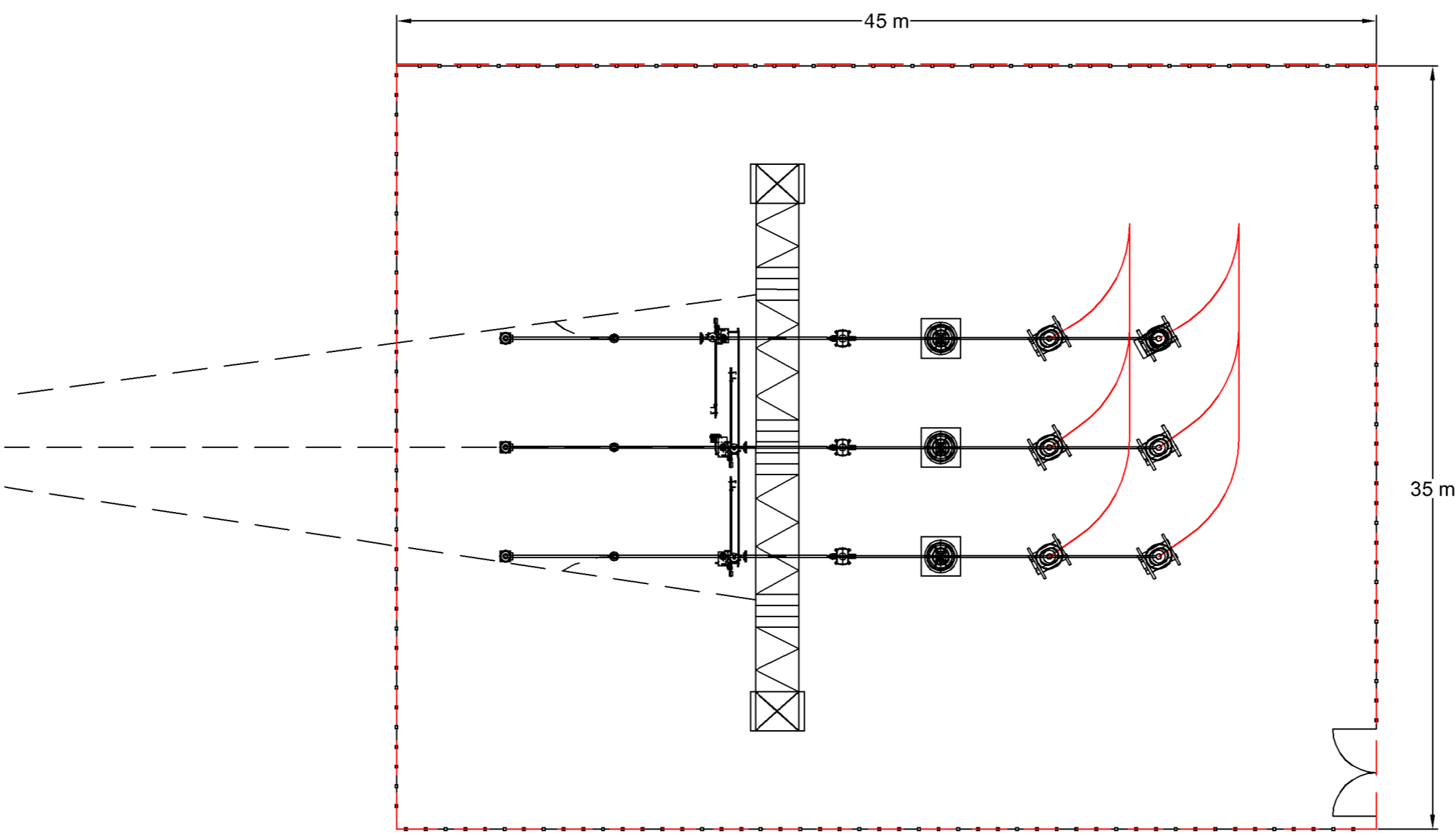
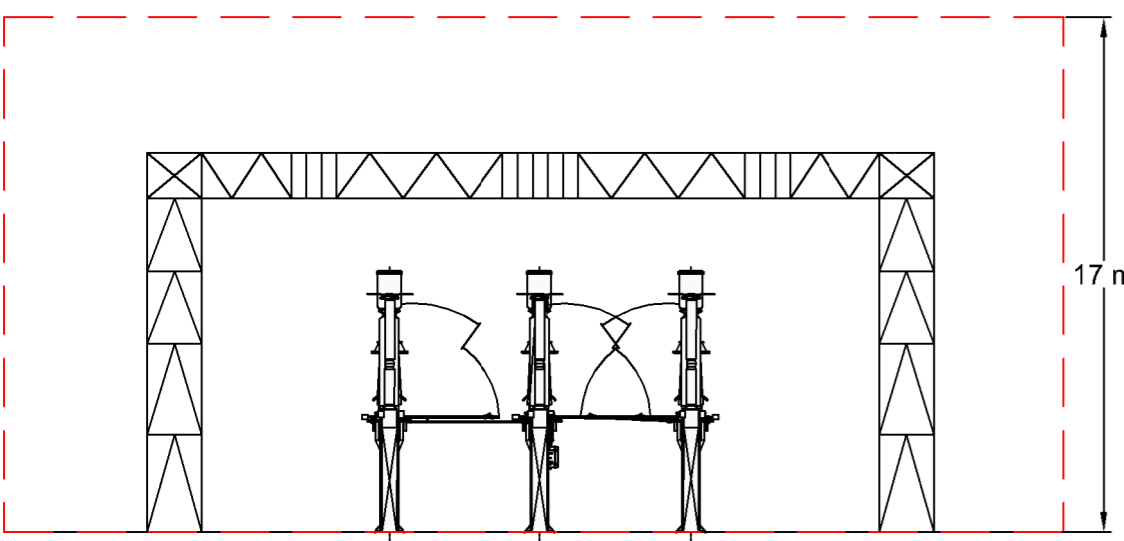
Title:

**INDICATIVE SUBSTATION  
ELEVATION WEST Reg5(2)(o)  
DOCUMENT REFERENCE 2.4**

Drawn: SPS	Checked: RAB
Designed: RAB	Approved: JMP
Date: 18/02/2015	Scale: 1:200
Project Number: 70032619	Drawing Number: FIGURE 16
	Revision: 2

© Copyright WSP UK Limited

LEGEND  
 ——— MAXIMUM DIMENSIONS



ORIGINAL SCALE 1:250

Rev	Date	Description	By	Chk	App
D	12/10/2017	DRAWING TITLE REVISED	CPR	SJS	MG
C	06/10/2017	TITLE LOGO	SPS	SJS	MG
B	20/09/2017	LOGOS UPDATED	SPS	SJS	MG
A	31/03/2017	FIRST ISSUE	SPS	CPR	BS

**INDICATIVE**

Westbrook Mills  
Godalming  
Surrey GU7 2AZ

Tel: 44-(0)1483-528400  
Fax: 44-(0)1483-528989  
wsp.com

Client: **Millbrook Power**  
A BROWN GROUP COMPANY

Site/Project: **MILLBROOK POWER PROJECT**

Title: **INDICATIVE SEALING END COMPOUND PLAN AND ELEVATIONS Reg5(2)(o) DOCUMENT REFERENCE 2.4**

Drawn: SPS	Checked: CPR
Designed: BS	Approved: BS
Date: 31/03/2017	Scale: 1:250
Project Number:	Sheet: 1 OF 1

70032619	FIGURE 17	D
----------	-----------	---

© Copyright WSP UK Limited