



The Abergelli Power Gas Fired Generating Station Order

2.7 Indicative Elevation Drawings

Planning Act 2008
The Infrastructure Planning
(Applications: Prescribed Forms and Procedure) Regulations 2009

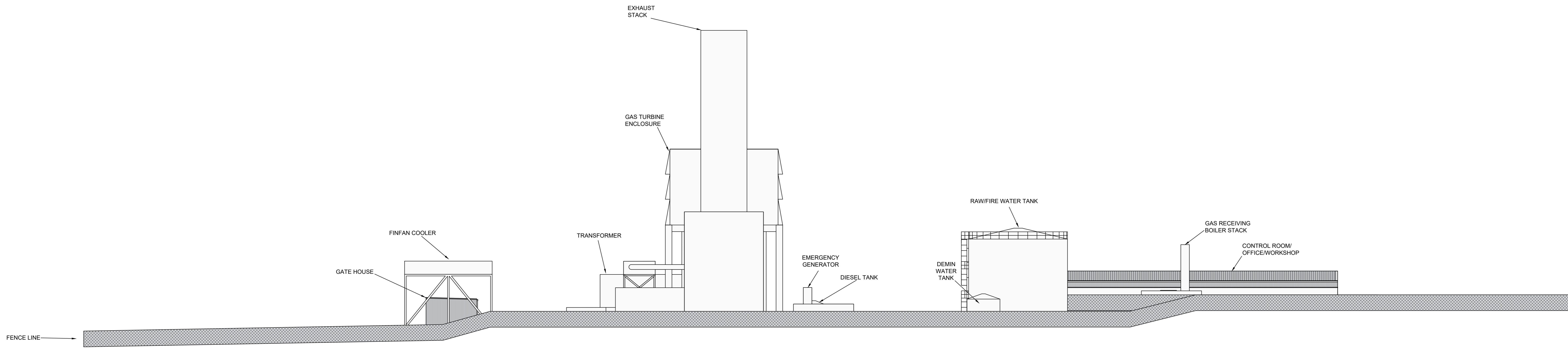
PINS Reference Number: EN010069
Document Reference: 2.7
Regulation Number: 5(2)(o)
Author: WSP

Revision	Date	Description
0	May 2018	Submission Version

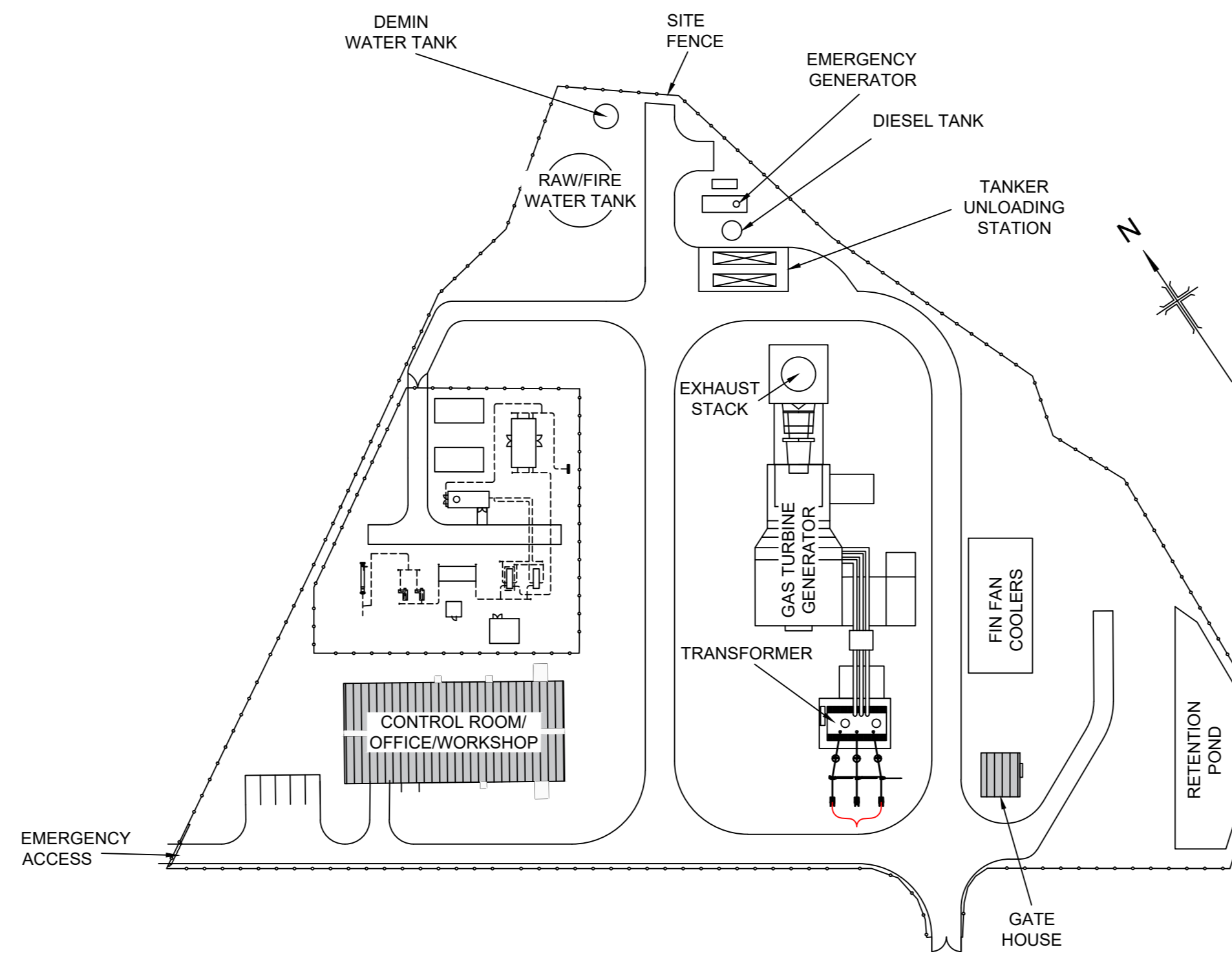
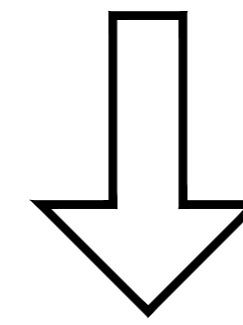
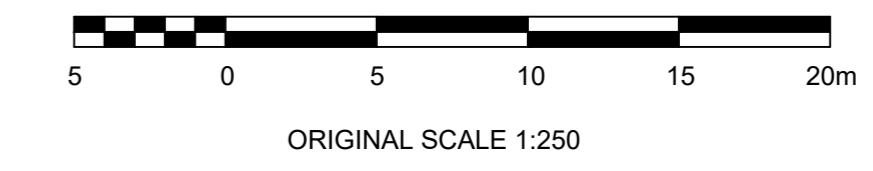


CONTENTS

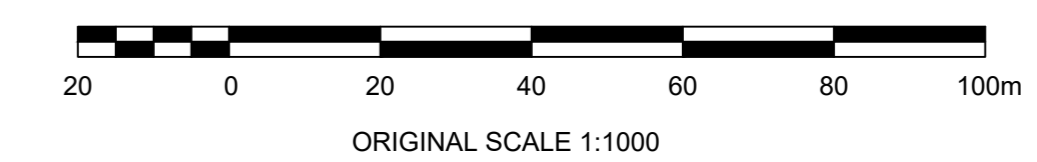
Figure 1	Indicative Generating Equipment Elevation North Reg5(2)(o)
Figure 2	Indicative Generating Equipment Elevation South Reg5(2)(o)
Figure 3	Indicative Generating Equipment Elevation East Reg5(2)(o)
Figure 4	Indicative Generating Equipment Elevation West Reg5(2)(o)
Figure 5	Indicative Gas Turbine Generator Plan and Elevations Reg5(2)(o)
Figure 6	Indicative Gatehouse Plan and Elevations Reg5(2)(o)
Figure 7	Indicative Emergency Generator Plan and Elevations Reg5(2)(o)
Figure 8	Indicative Control Room/ Office/ Workshop Plan and Elevations Reg5(2)(o)
Figure 9	Indicative Transformer Plan and Elevations Reg5(2)(o)
Figure 10	Indicative Demineralised Water Tank and Raw/Fire Water Tank Plan and Elevations Reg5(2)(o)
Figure 11	Indicative Fin Fan Cooler Plan and Elevations Reg5(2)(o)



NORTH ELEVATION
(SCALE 1:250)



PLAN
(SCALE 1:1000)



0	05/05/2018	MODIFIED IN LINE WITH CLIENT COMMENTS	JPW	SJS	IMG
1	16/02/2018	FIRST ISSUE	JPW	SJS	IMG
Rev	Date	Description	By	Chk	App

INDICATIVE



Westbrook Mills
Coventry, Survey Q17 2JZ
Tel: 44 (0)1483 528600
Fax: 44 (0)1483 528699
wsp.com

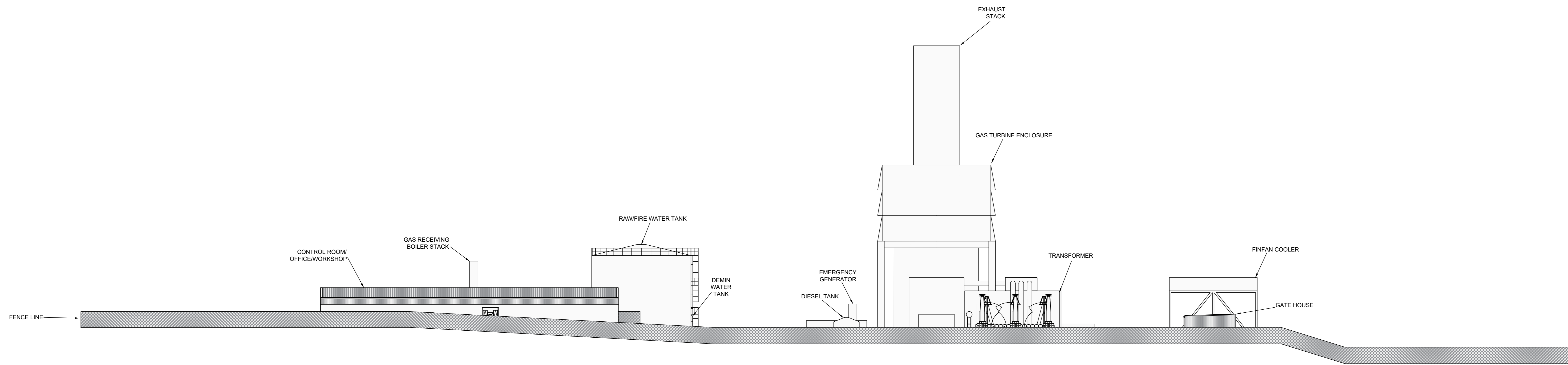


ABERGELLI POWER PROJECT

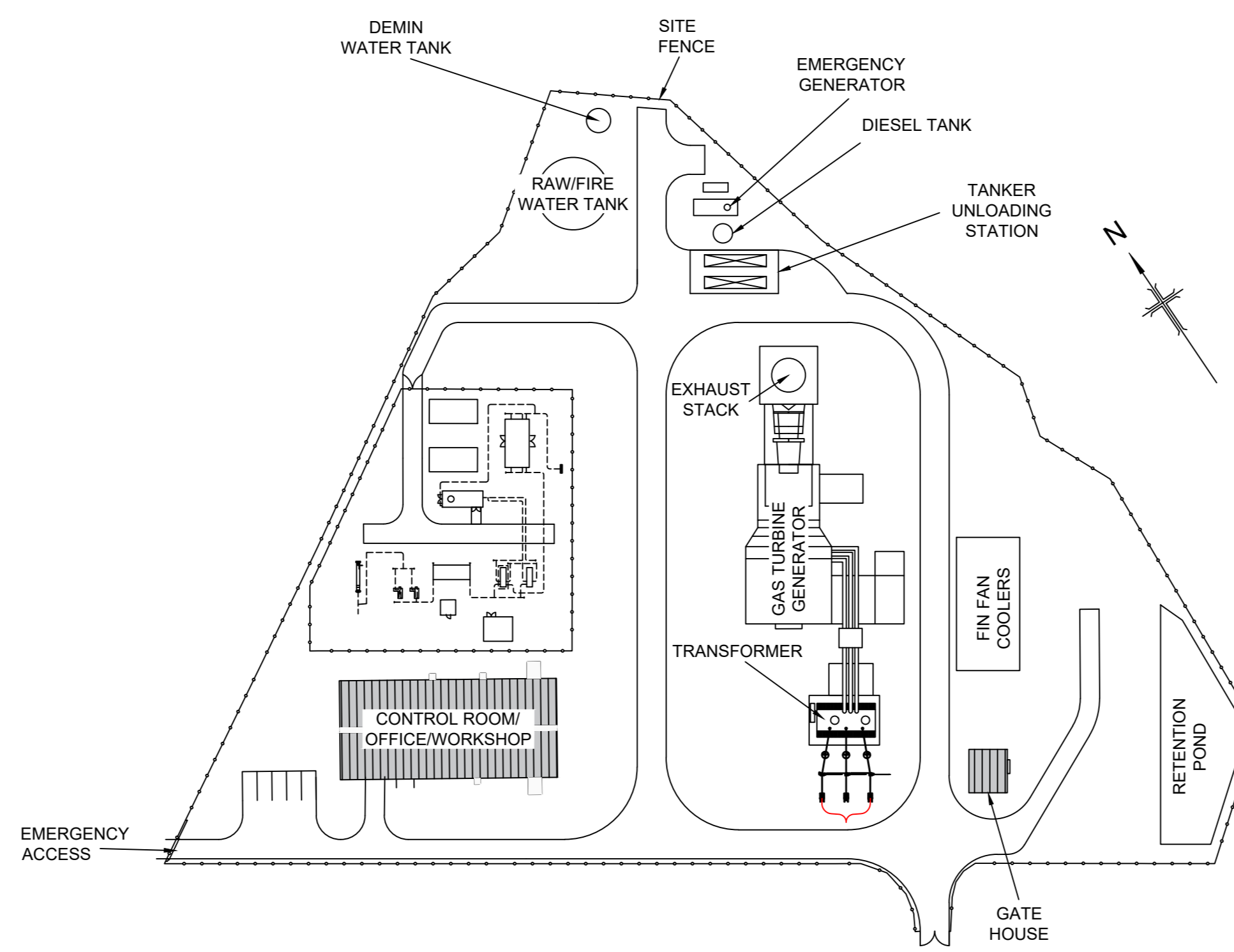
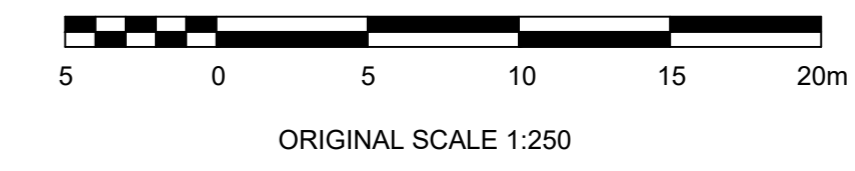
INDICATIVE GENERATING EQUIPMENT ELEVATION NORTH Reg5(2)(o) DOCUMENT REFERENCE 2.7

Drawn: JPW	Checked: SJS
Designed: IMG	Approved: IMG
Date: 10/02/18	Scale: AS SHOWN A0 Sheet: 1 OF 1
Project Number: 70034053	Figure Number: FIGURE 1

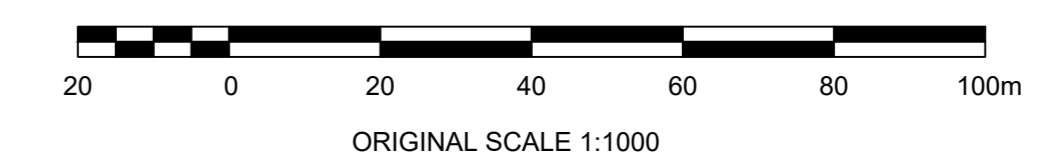
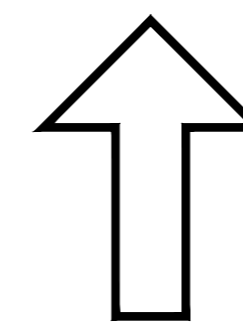
B



SOUTH ELEVATION
(SCALE 1:250)



PLAN
(SCALE 1:1000)



0	05/05/2018	MODIFIED IN LINE WITH CLIENT COMMENTS	JPW	SJS	IMG
A	16/02/2018	FIRST ISSUE	JPW	SJS	IMG
Rev	Date	Description	By	Chk	App

INDICATIVE



Westbrook Mills
Coventry, Survey Q17 2JZ
Tel: 44 (0)1453 528400
Fax: 44 (0)1453 528499
wsp.com

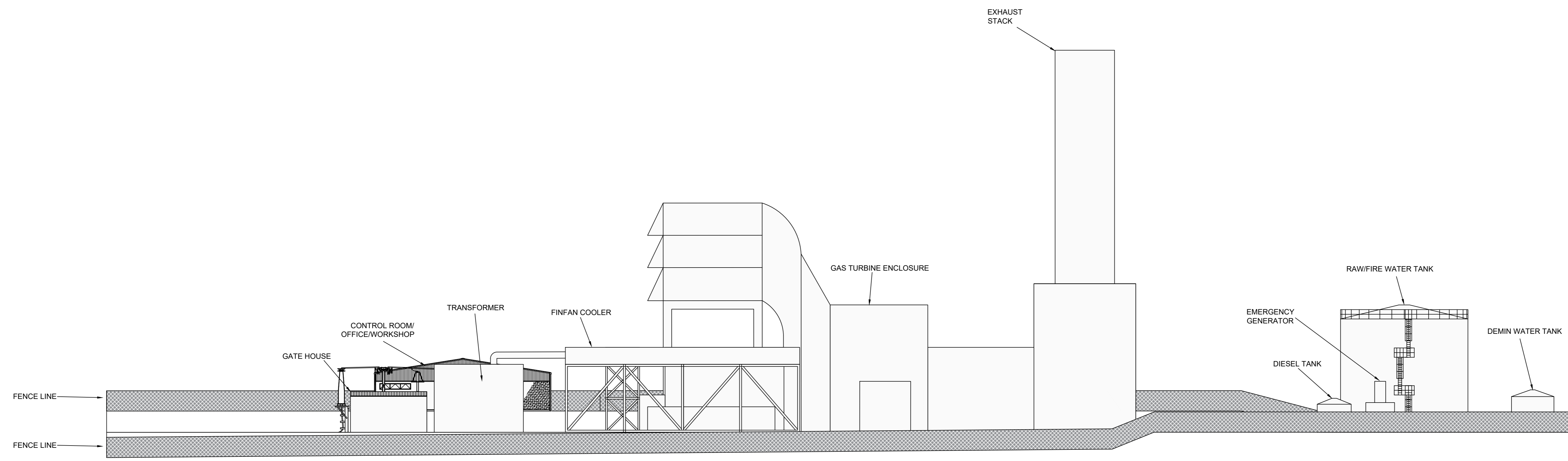


ABERGELLI POWER PROJECT

INDICATIVE GENERATING EQUIPMENT ELEVATION SOUTH Reg5(2)(o) DOCUMENT REFERENCE 2.7

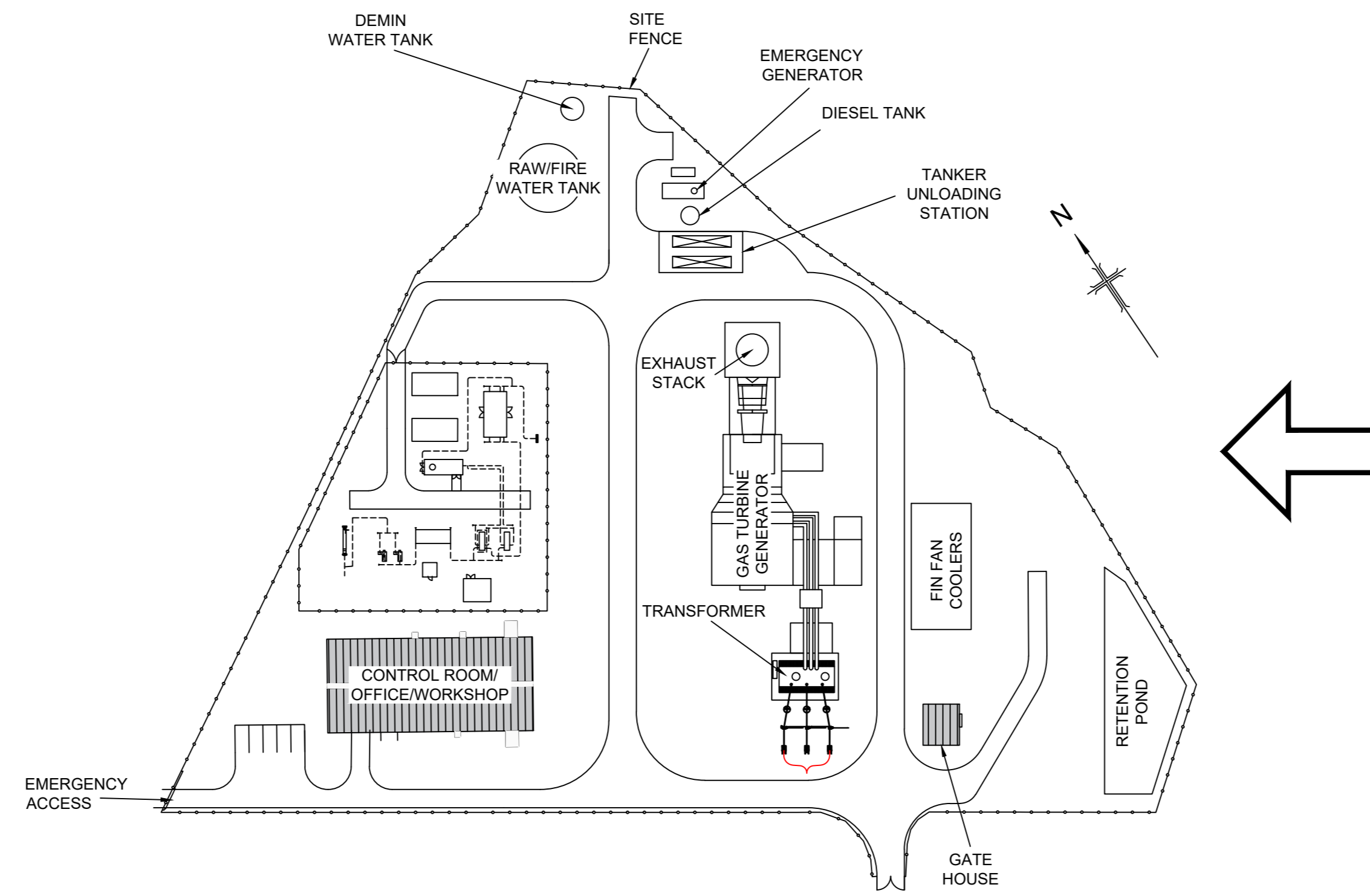
Drawn: JPW	Checked: SJS
Designed: IMG	Approved: IMG
Date: 10/02/18	Scale: AS SHOWN A0 Sheet: 1 OF 1
Project Number: 70034053	Drawn Number: FIGURE 2

70034053 FIGURE 2 B



EAST ELEVATION
(SCALE 1:250)

5 0 5 10 15 20m
ORIGINAL SCALE 1:250



PLAN
(SCALE 1:1000)

20 0 20 40 60 80 100m
ORIGINAL SCALE 1:1000

0	05/05/2018	MODIFIED IN LINE WITH CLIENT COMMENTS	SPS	SJS	IMG
A	16/02/2018	FIRST ISSUE	JPW	SJS	IMG
Rev	Date	Description	By	Chk	App

INDICATIVE



Westbrook Mills
Coventry, CV3 2JZ
Tel: 44 (0)1483 528600
Fax: 44 (0)1483 528699
wsp.com

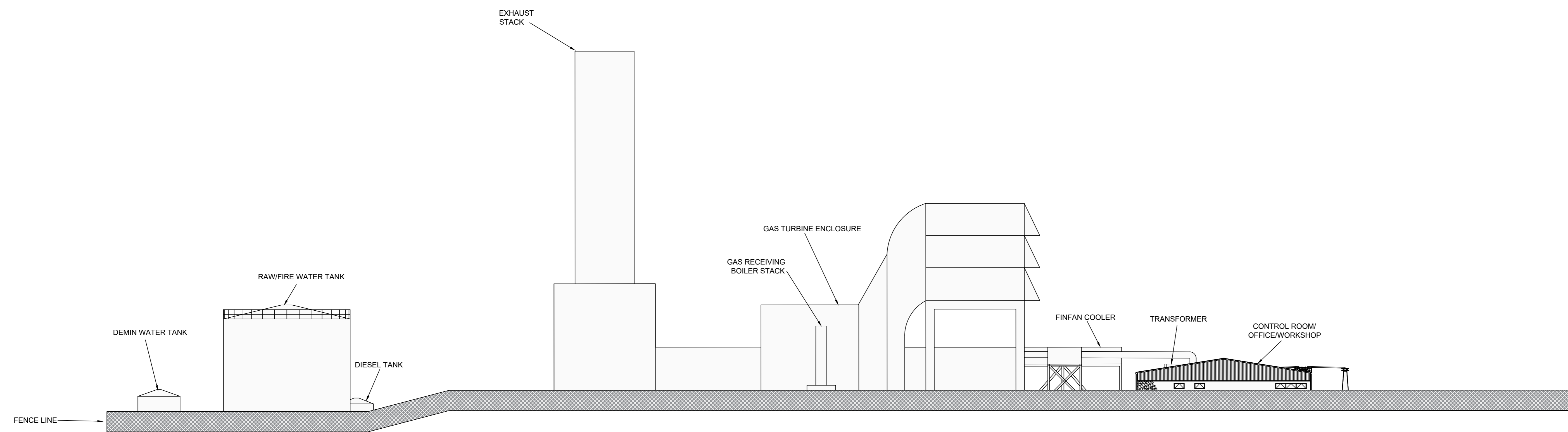


ABERGELLI POWER PROJECT

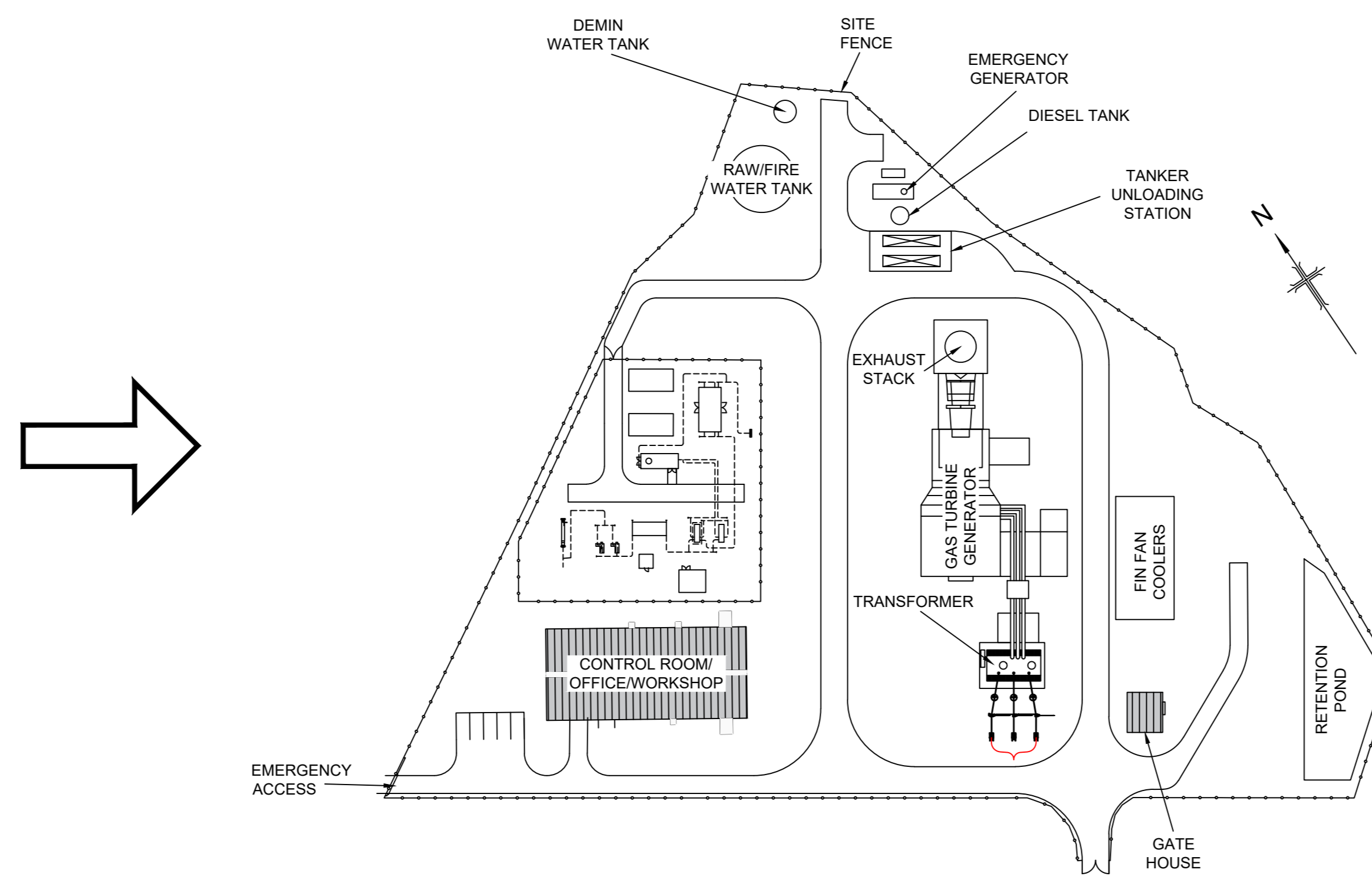
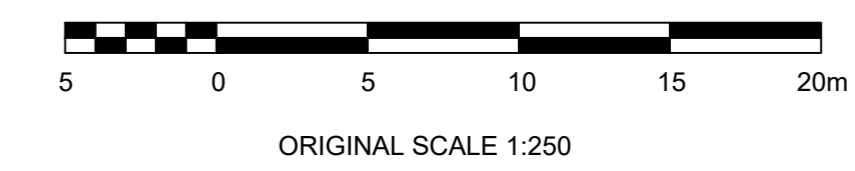
INDICATIVE GENERATING EQUIPMENT ELEVATION
EAST Reg5(2)(o)
DOCUMENT REFERENCE 2.7

Drawn: JPW	Checked: SJS
Designed: IMG	Approved: IMG
Date: 10/02/18	Scale: AS SHOWN A0 Sheet: 1 OF 1
Project Number: 70034053	Drawn Number: FIGURE 3

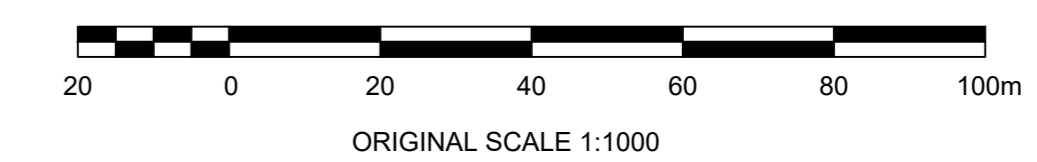
70034053 FIGURE 3 B
© Copyright WSP UK Limited



WEST ELEVATION
(SCALE 1:250)



PLAN
(SCALE 1:1000)



0	05/05/2018	MODIFIED IN LINE WITH CLIENT COMMENTS	JPW	SJS	IMG
A	16/02/2018	FIRST ISSUE	JPW	SJS	IMG
Rev	Date	Description	By	Chk	App

INDICATIVE



Westbrook Mills
Coventry, Surrey CV7 2JZ
Tel: 44 (0)1483 528600
Fax: 44 (0)1483 528699
wsp.com

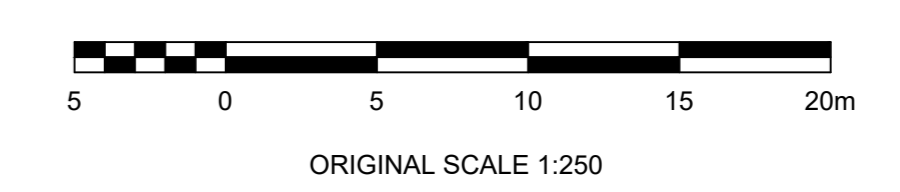
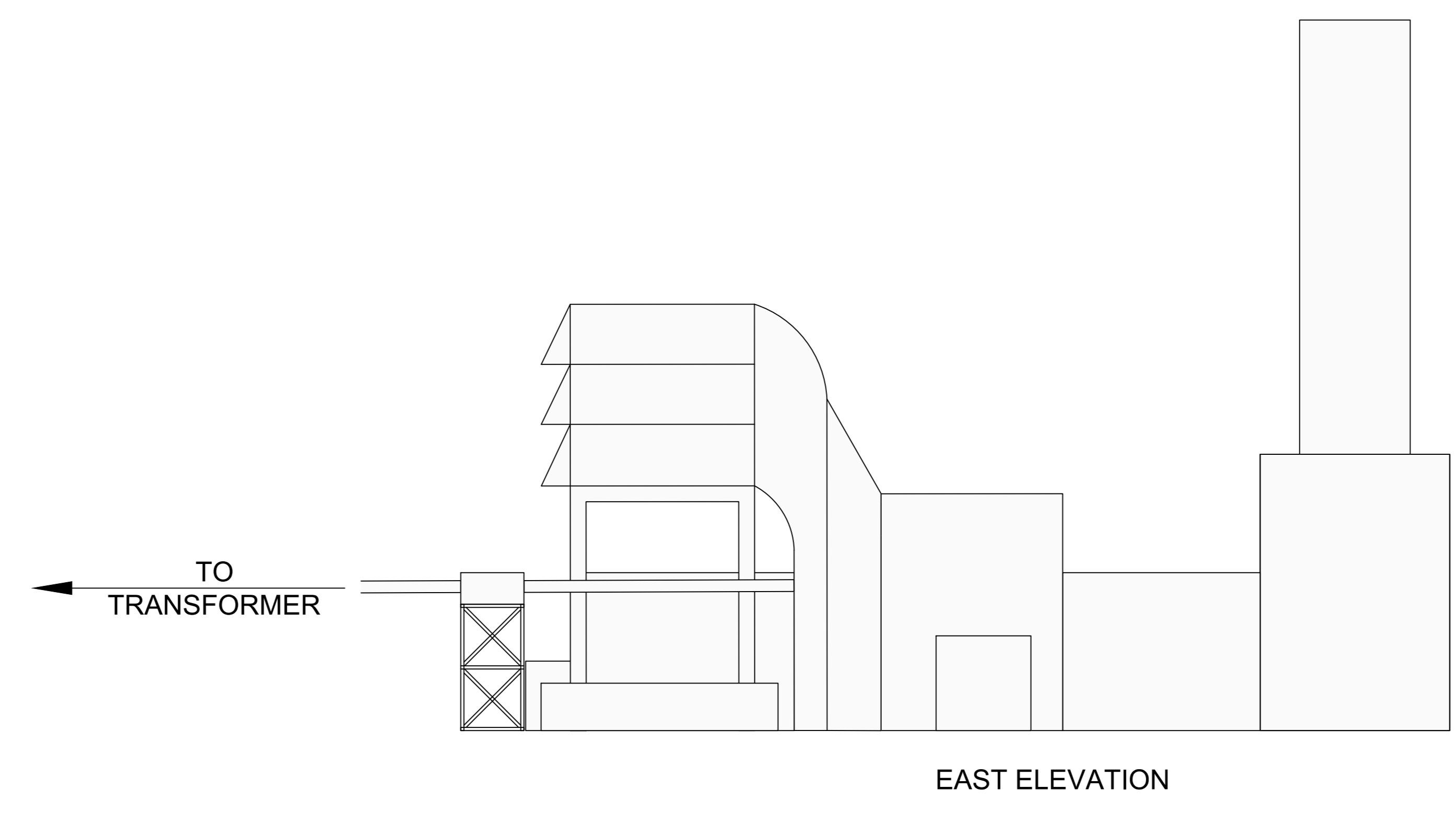
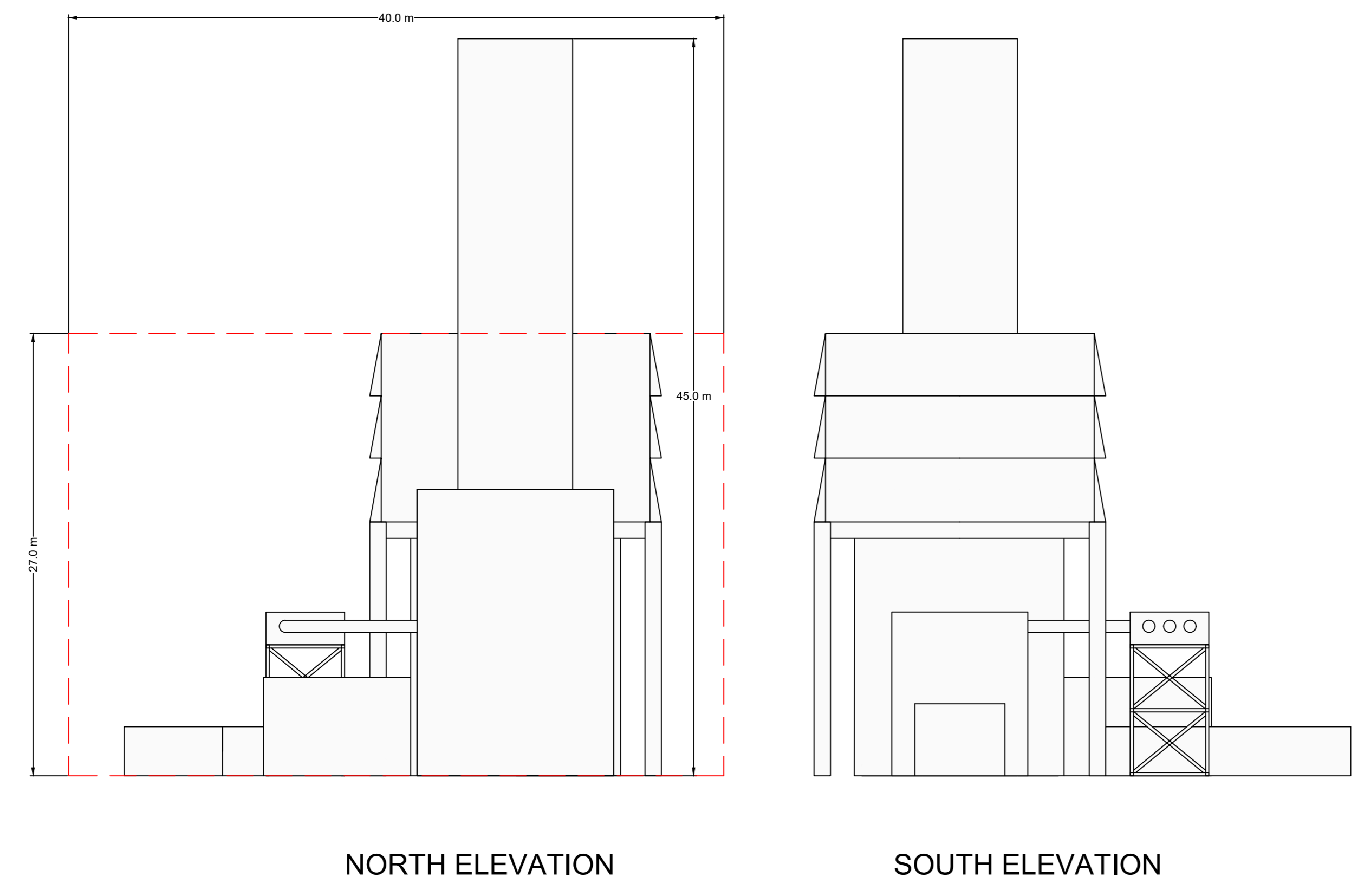
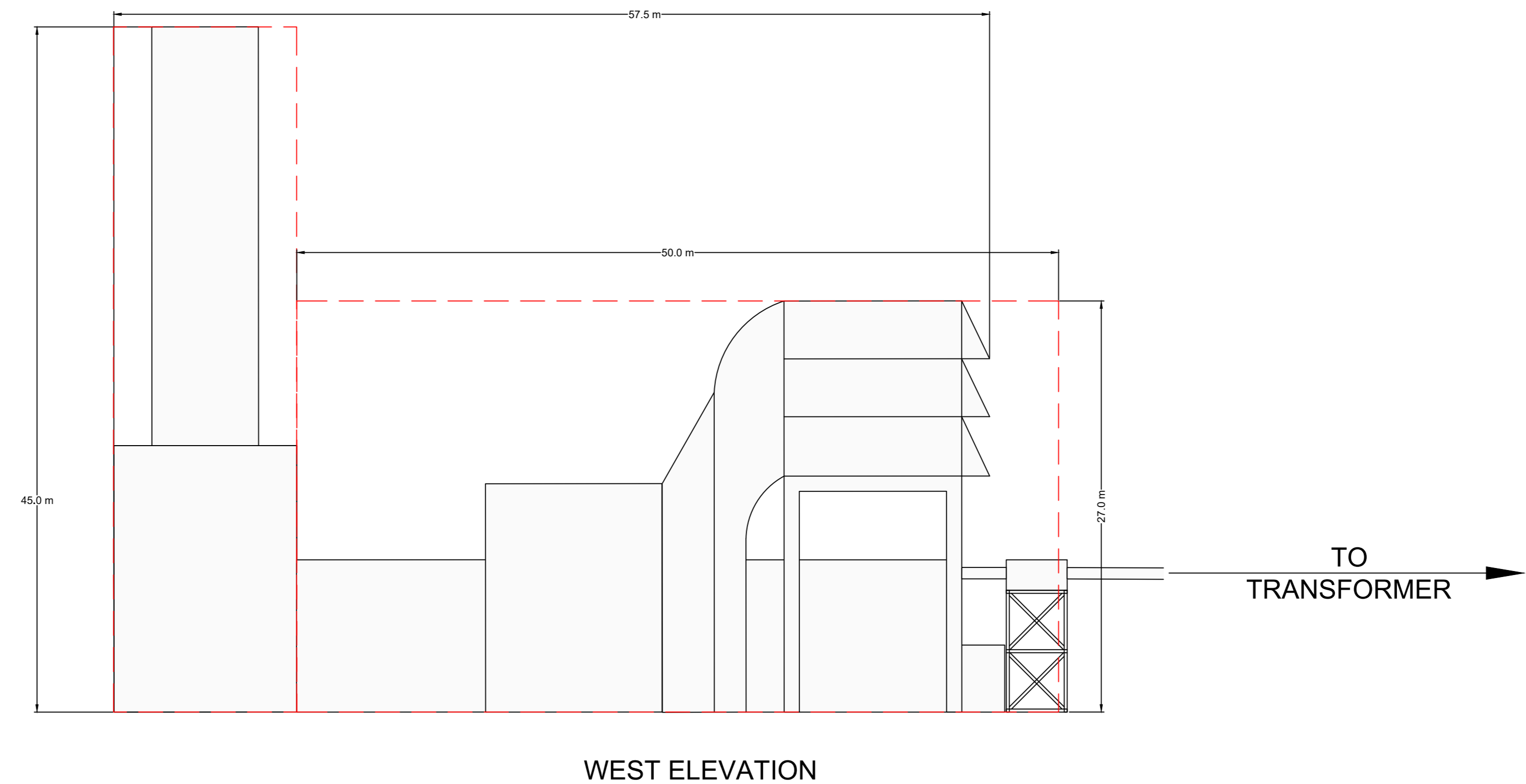
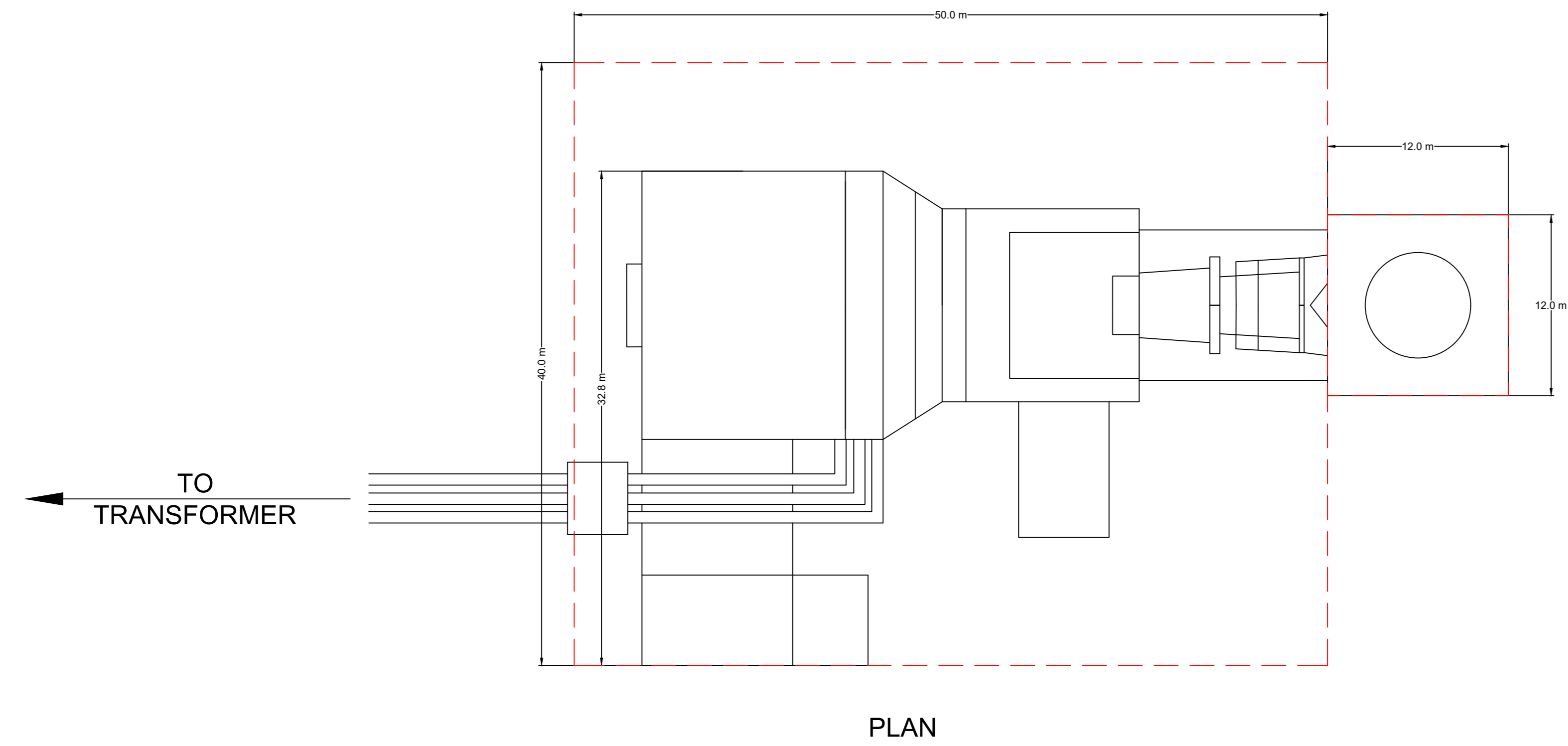


ABERGELLI POWER PROJECT

INDICATIVE GENERATING EQUIPMENT ELEVATION WEST Reg5(2)(o) DOCUMENT REFERENCE 2.7


Drawn:	JPW	Checked:	SJS
Designed:	IMG	Approved:	IMG
Date:	10/02/18	Scale:	AS SHOWN A0 Sheet: 1 OF 1
Project Number:	70034053	Drawn Number:	FIGURE 4

LEGEND
 - - - MAXIMUM DIMENSIONS



B	09/05/2018	MODIFIED IN LINE WITH CLIENT COMMENTS	SJS	SJS	IMG
A	16/02/2018	FIRST ISSUE	JPW	SJS	IMG
Rev	Date	Description	By	CHK	APP

INDICATIVE



Westbrook Mills
 Goswami
 Surrey GU27 2JZ

Tel: 44-(0)1483-628400
 Fax: 44-(0)1483-628999
 web: www.wsp.com

Abergelli power

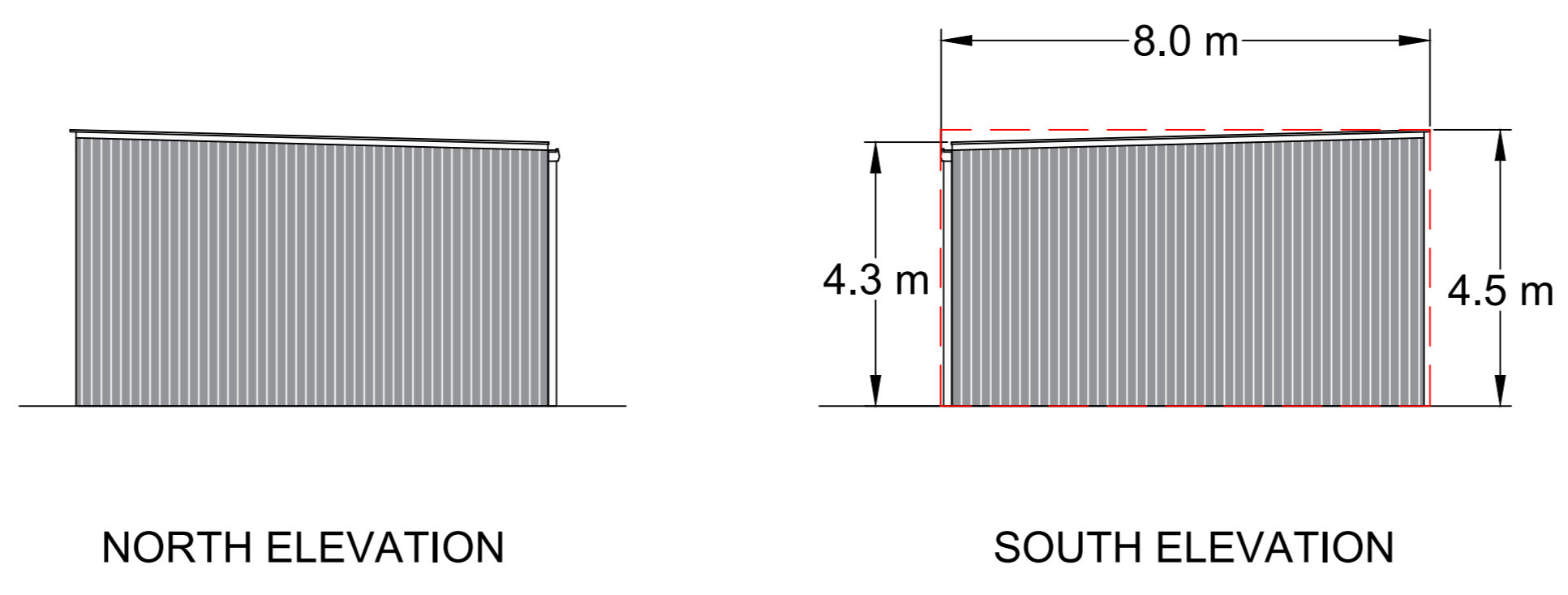
Site/Project
ABERGELLI POWER PROJECT

Title
INDICATIVE GAS TURBINE GENERATOR PLAN AND ELEVATIONS Reg5(2)(o) DOCUMENT REFERENCE 2.7

Drawn: JPW	Checked: SJS
Designed: IMG	Approved: IMG
Date: 16/02/18	Scale: AS SHOWN A0 Sheet: 1 OF 1
Project Number: 70034053	Drawing Number: FIGURE 5
	Revision: B

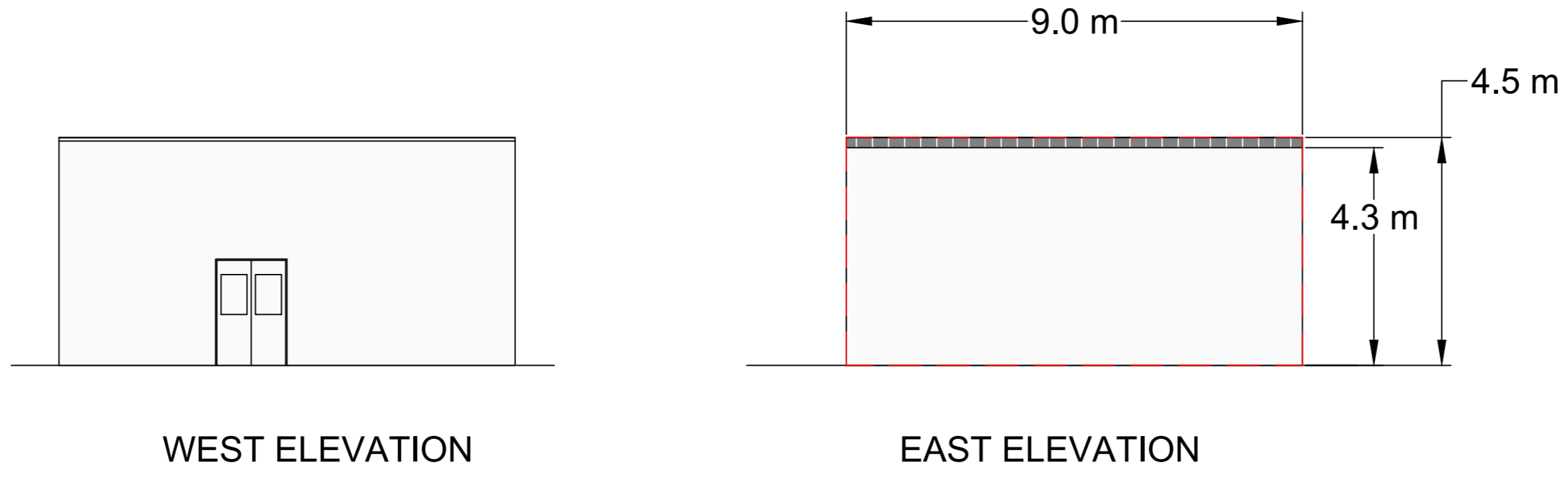
© Copyright WSP UK Limited

LEGEND
 - - - MAXIMUM DIMENSIONS



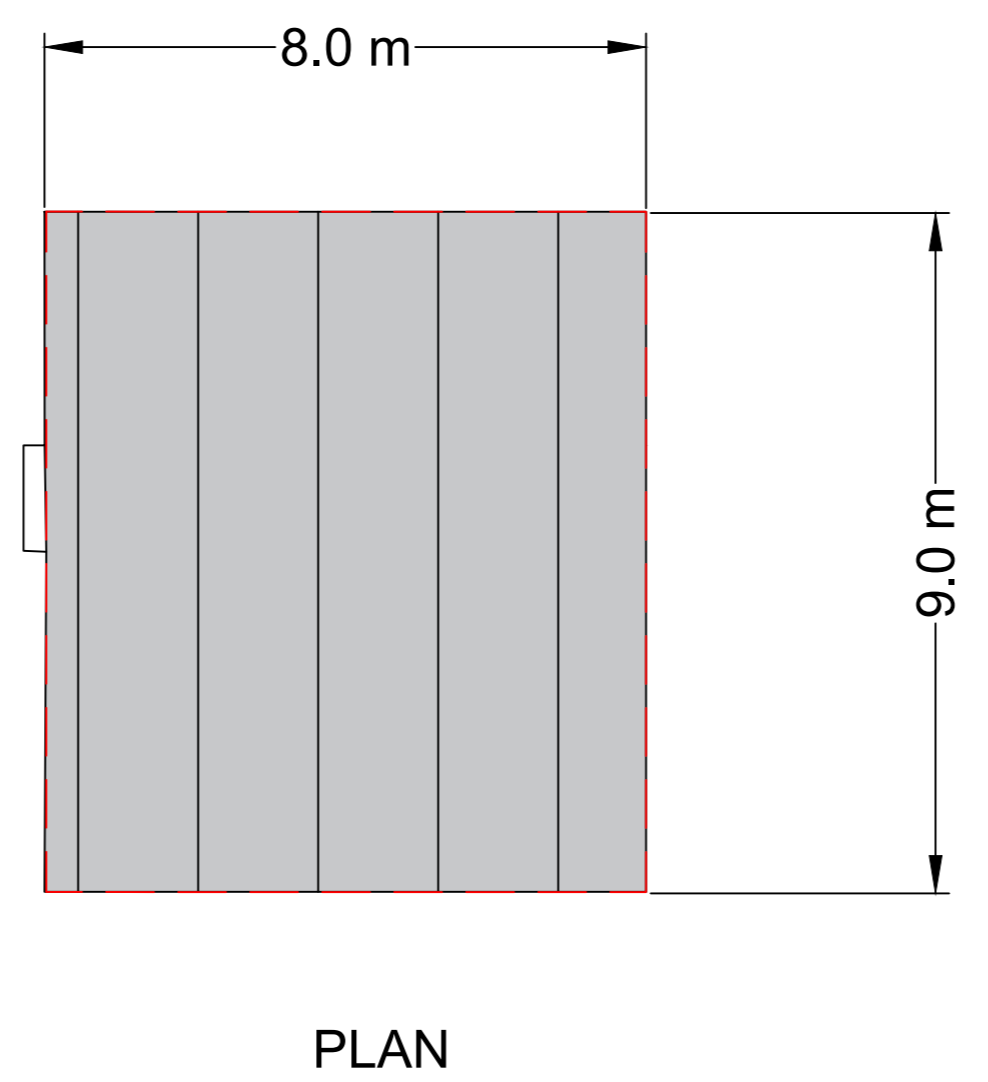
NORTH ELEVATION

SOUTH ELEVATION

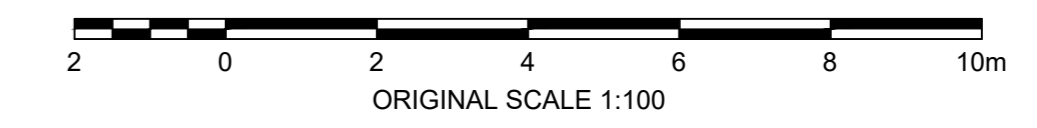


WEST ELEVATION

EAST ELEVATION



PLAN



B	08/05/2018	MODIFIED IN LINE WITH CLIENT COMMENTS	SJS	SJS	IMG
A	16/02/2018	FIRST ISSUE	JPW	SJS	IMG
Rev	Date	Description	By	Chk	App

INDICATIVE



Westbrook Mills
 Gwynedd
 Stryker G17 2JZ
 Tel: 44-(0)1483-628400
 Fax: 44-(0)1483-628889
 web: www.wsp.com



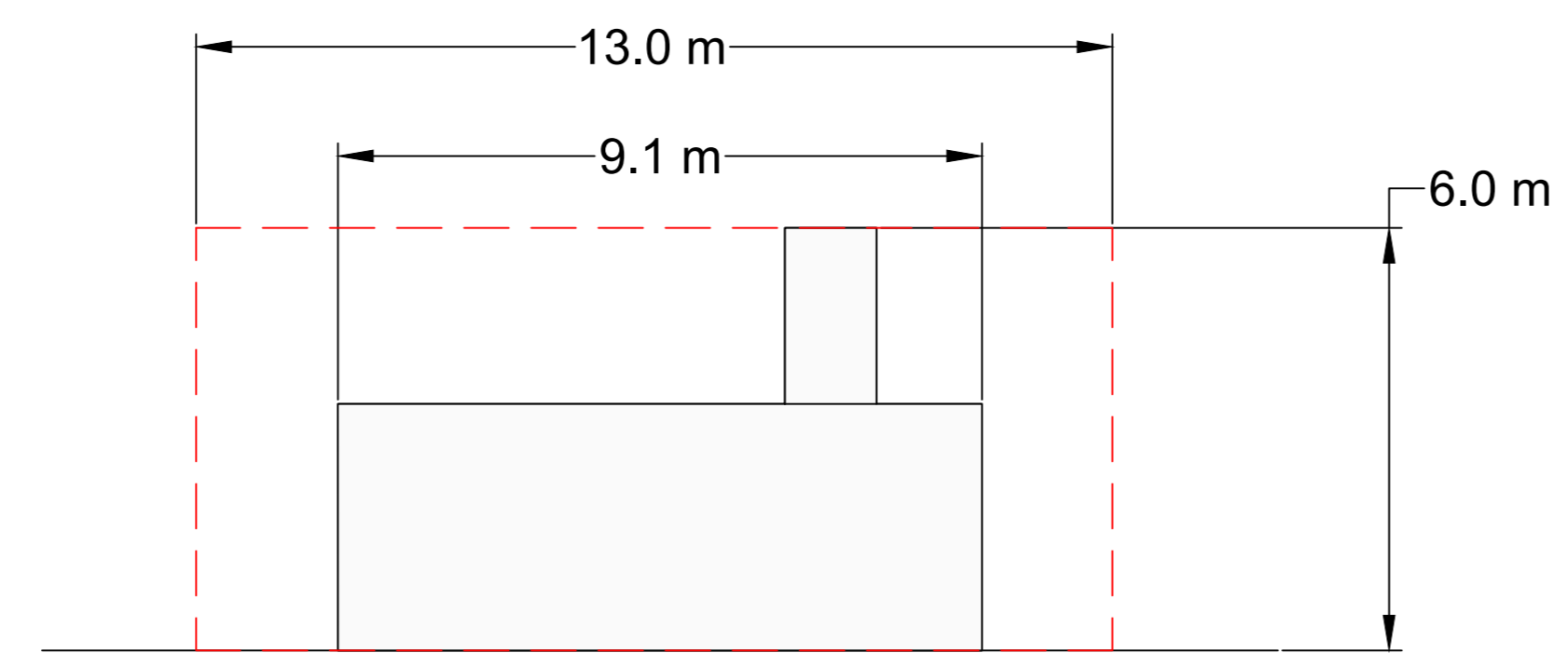
ABERGELLI POWER PROJECT

INDICATIVE GATEHOUSE
 PLAN AND ELEVATIONS
 Reg5(2)(o)
 DOCUMENT REFERENCE 2.7

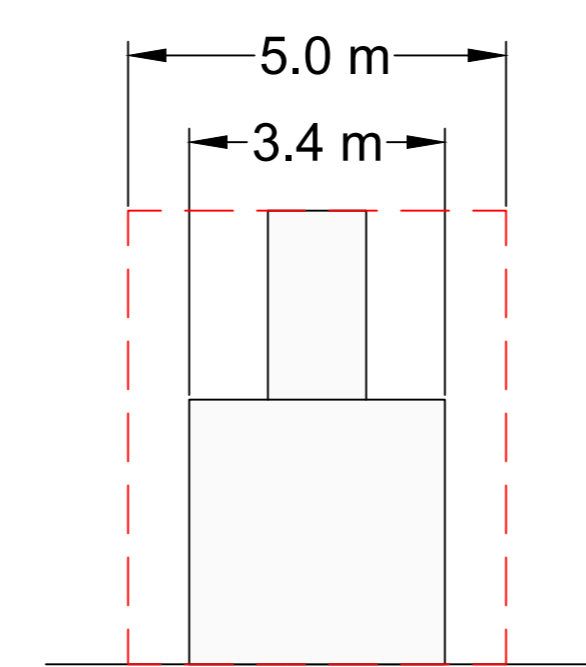
Drawn: JPW	Checked: SJS
Designed: IMG	Approved: IMG
Date: 16/02/18	Scale: AS SHOWN
Project Number: 70034053	Sheet: 1 OF 1

70034053	FIGURE 6	B
----------	----------	---

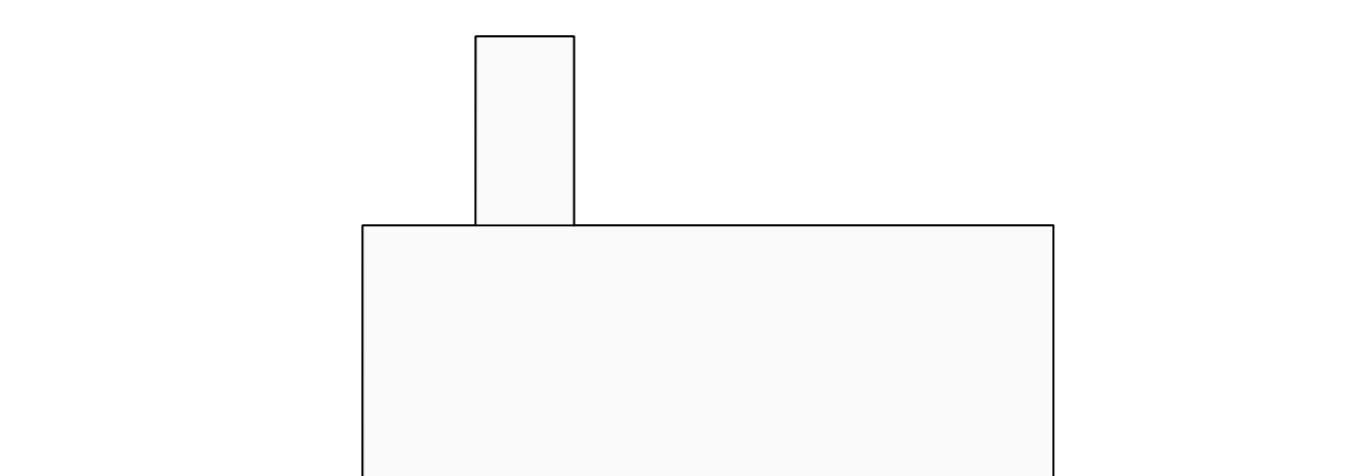
LEGEND
 --- MAXIMUM DIMENSIONS



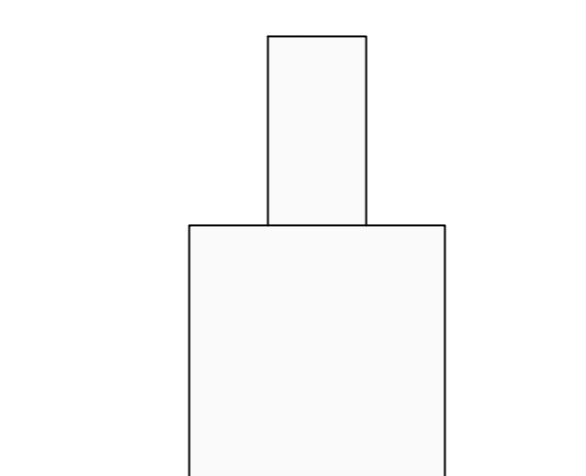
SOUTH ELEVATION



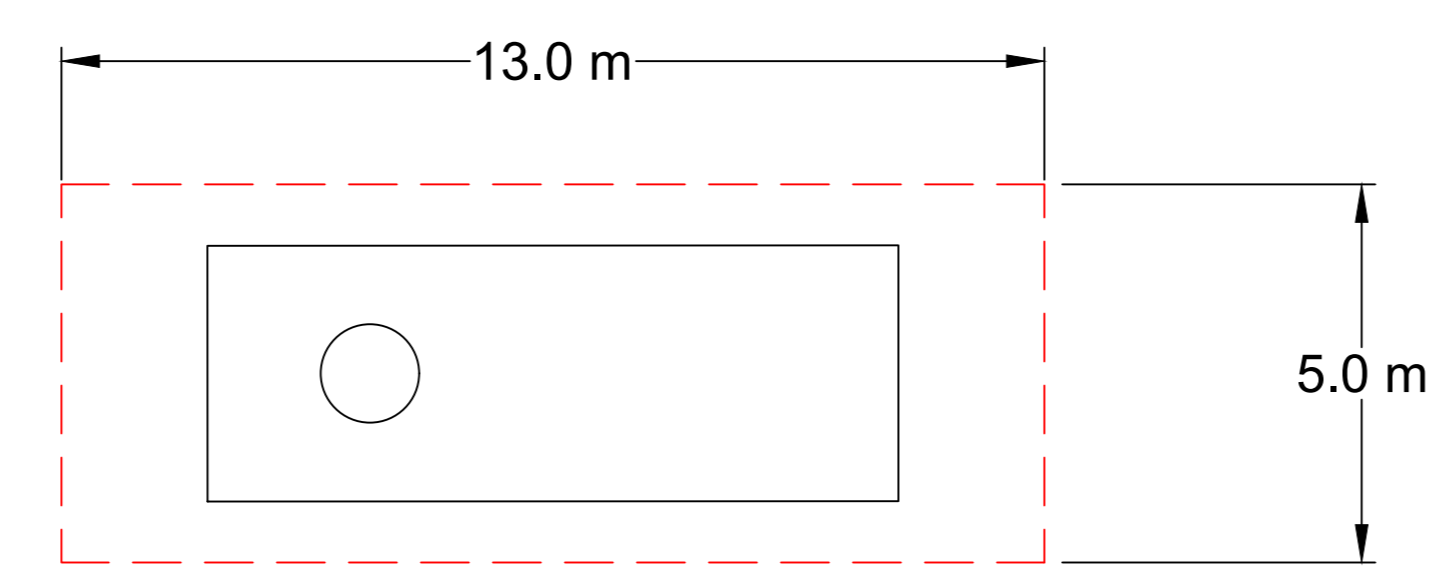
EAST ELEVATION



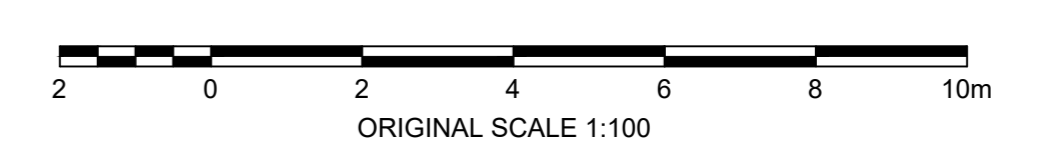
NORTH ELEVATION



WEST ELEVATION



PLAN



B	08/05/2018	MODIFIED IN LINE WITH CLIENT COMMENTS	SJS	SJS	IMG
A	16/02/2018	FIRST ISSUE	JPW	SJS	IMG
Rev	Date	Description	By	Chk	App

INDICATIVE



Westbrook Mills
 Gwynedd
 Stryker G17 2JZ
 Tel: 44-(0)1483-628400
 Fax: 44-(0)1483-628889
 www.wsp.com



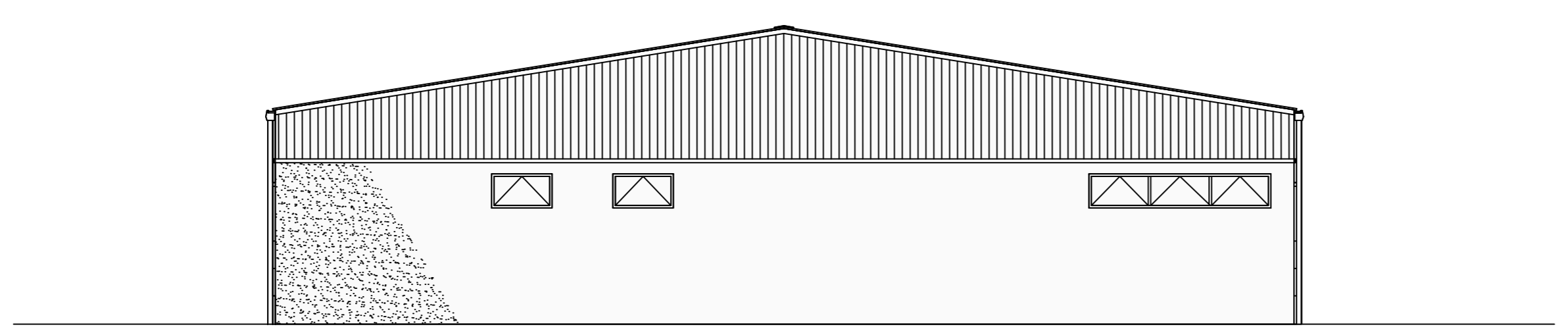
ABERGELLI POWER PROJECT

INDICATIVE EMERGENCY GENERATOR PLAN AND ELEVATIONS Reg5(2)(o) DOCUMENT REFERENCE 2.7

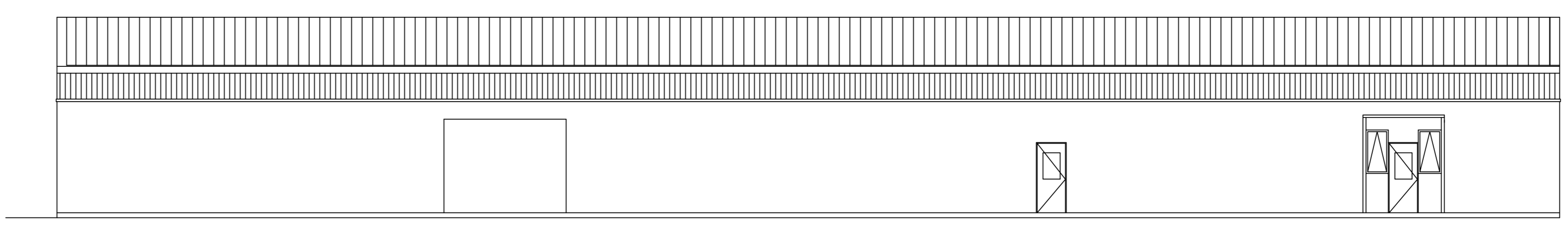
Drawn: JPW	Checked: SJS
Designed: IMG	Approved: IMG
Date: 16/02/18	Scale: AS SHOWN
Project Number: 70034053	Sheet: 1 OF 1

70034053	FIGURE 7	B
----------	----------	---

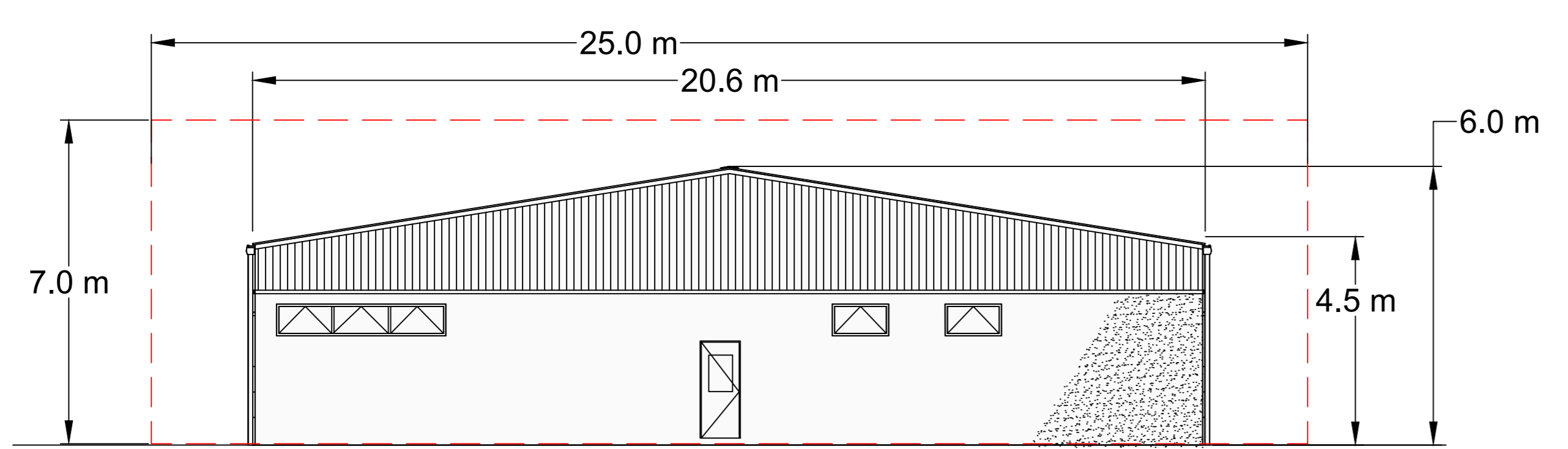
LEGEND
 --- MAXIMUM DIMENSIONS



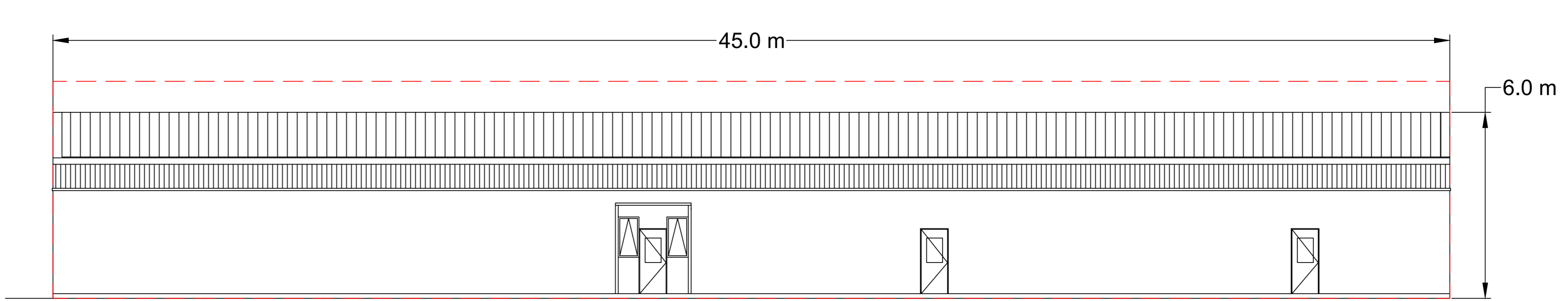
WEST ELEVATION



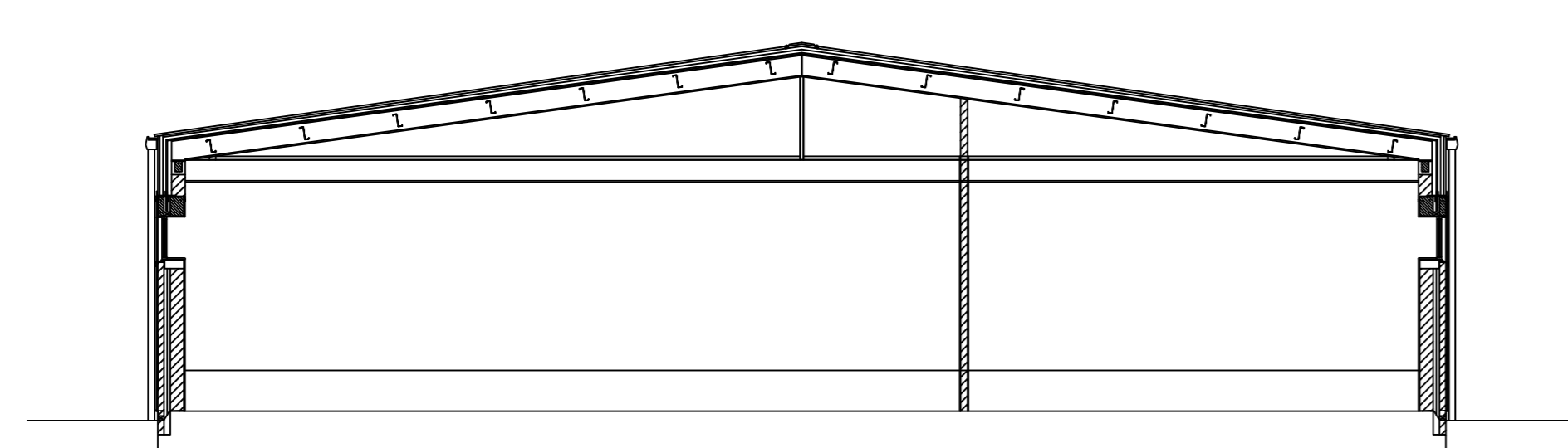
NORTH ELEVATION



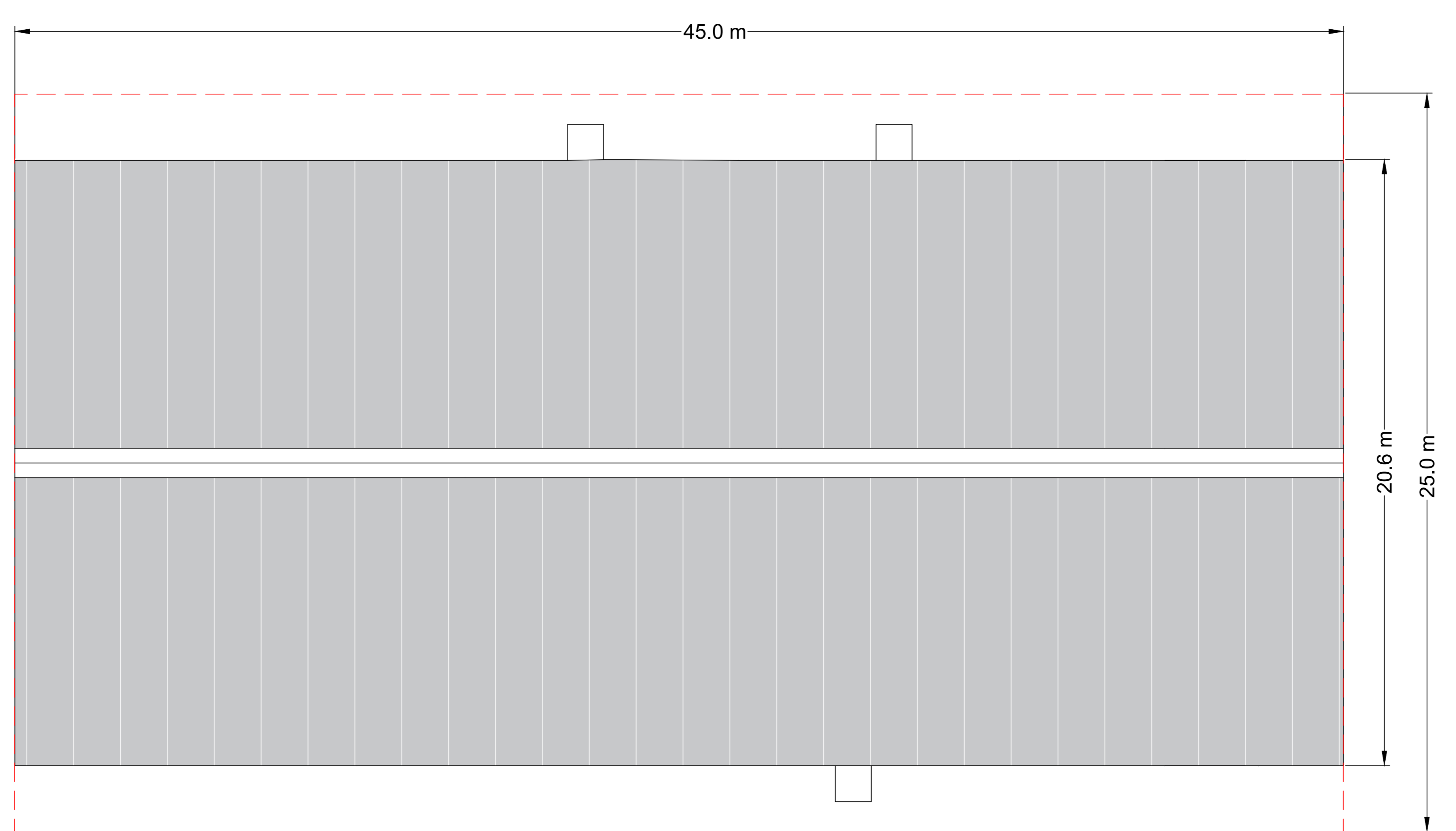
EAST ELEVATION



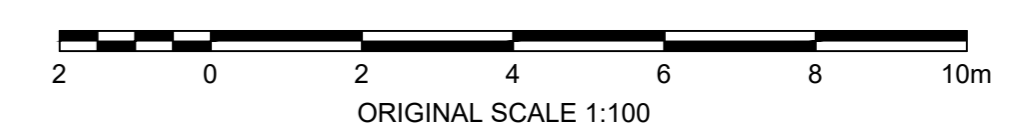
SOUTH ELEVATION



TYPICAL SECTION



PLAN



B	09/05/2018	MODIFIED IN LINE WITH CLIENT COMMENTS	SJS	SJS	IMG
A	16/02/2018	FIRST ISSUE	JPW	SJS	IMG
Rev	Date	Description	By	Chk	App

INDICATIVE



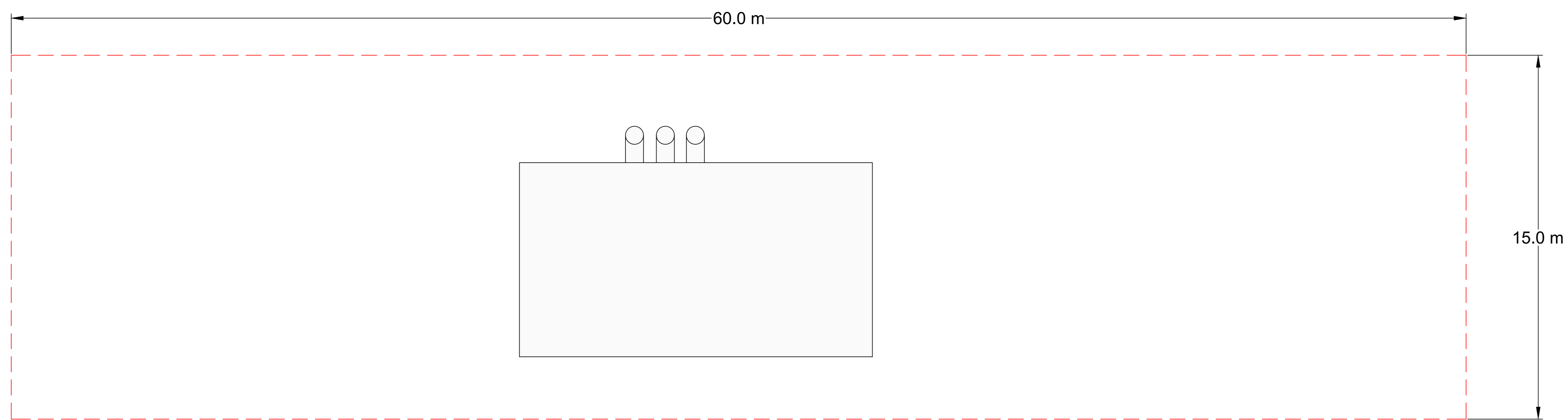
Westbrook Mills
 Goddards
 Surrey GU7 2JZ
 Tel: 44-(0)1483-628400
 Fax: 44-(0)1483-628889
 www.wsp.com



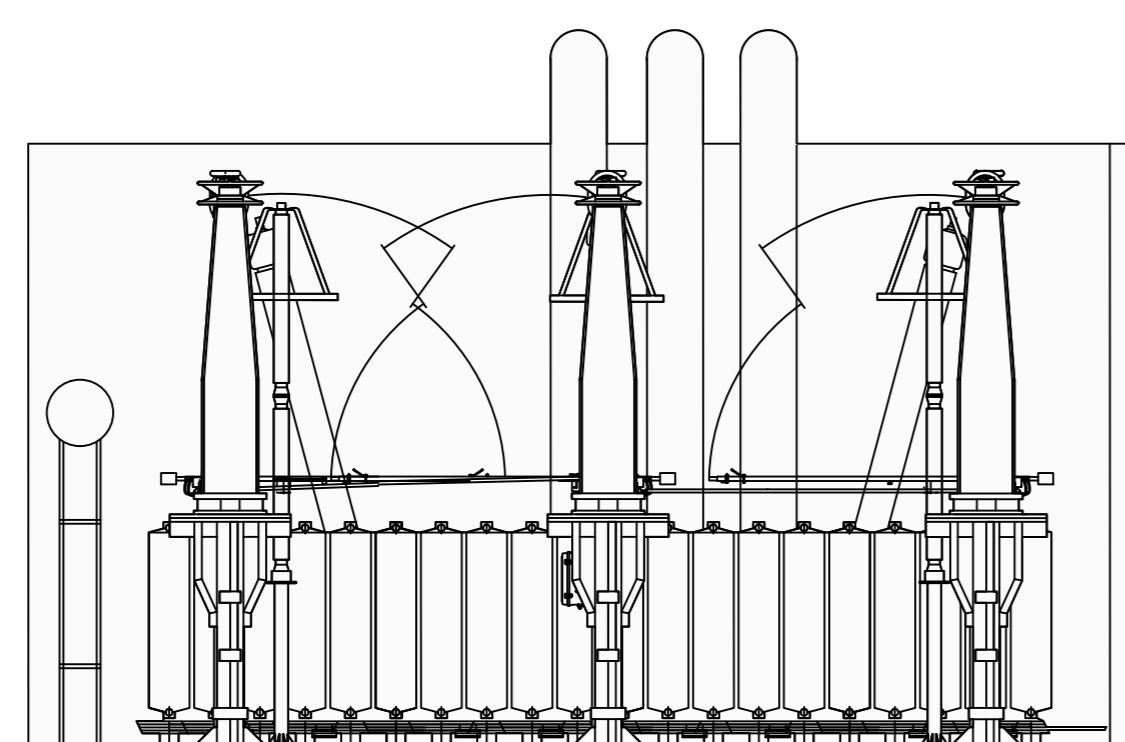
ABERGELLI POWER PROJECT

INDICATIVE CONTROL ROOM / OFFICE / WORKSHOP PLAN AND ELEVATIONS Reg5(2)(o) DOCUMENT REFERENCE 2.7

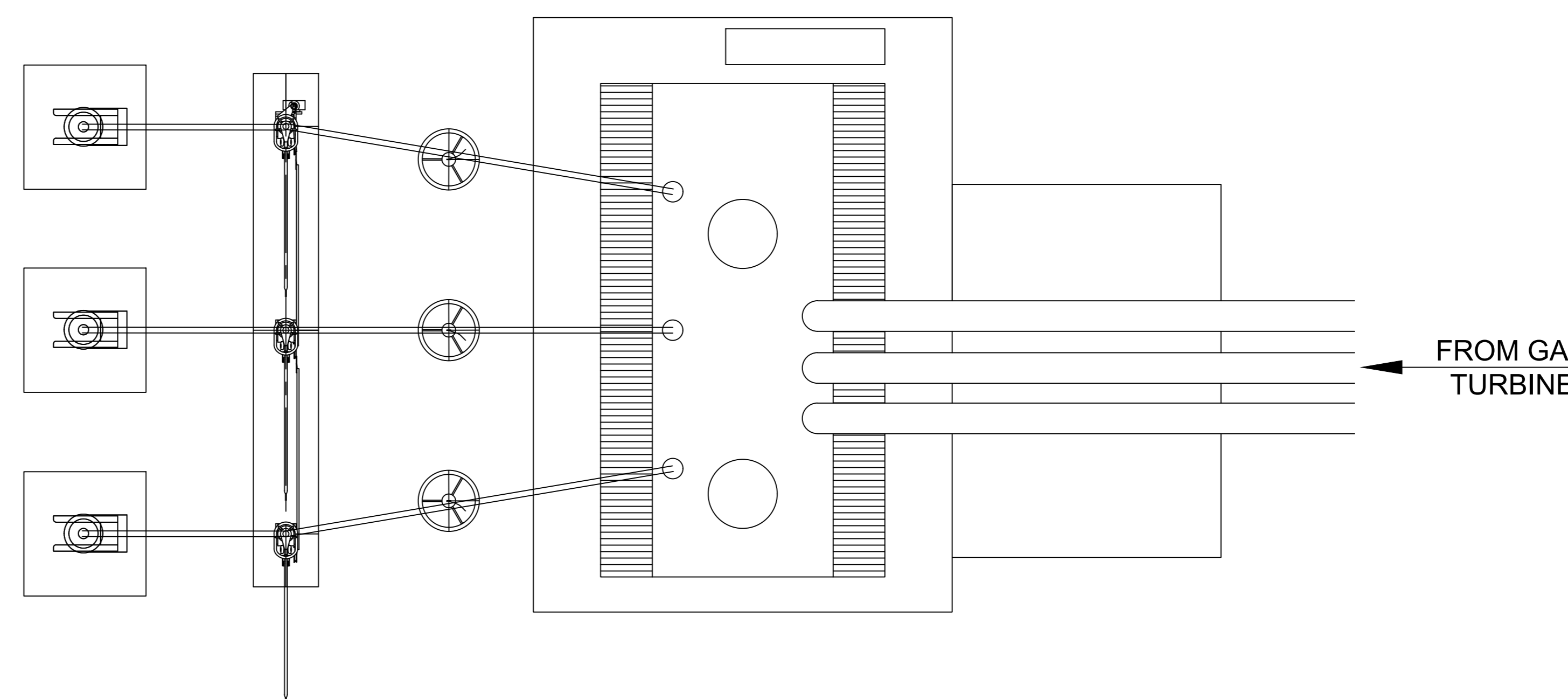
Drawn: JPW	Checked: SJS
Designed: IMG	Approved: IMG
Date: 16/02/18	Scale: AS SHOWN AD Sheet: 1 OF 1
Project Number: 70034053	Drawing Number: FIGURE 8



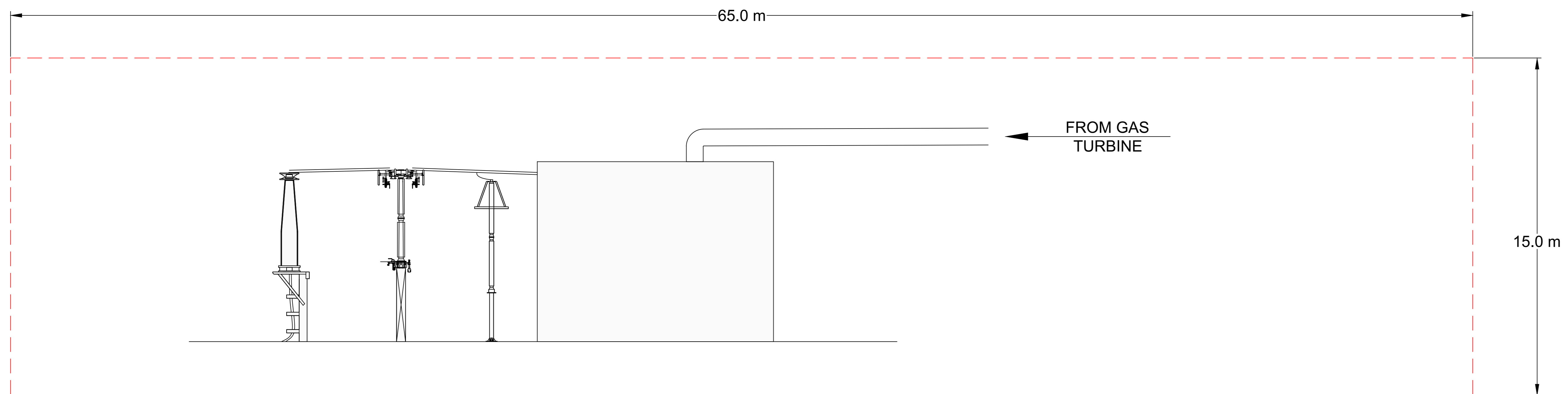
NORTH ELEVATION



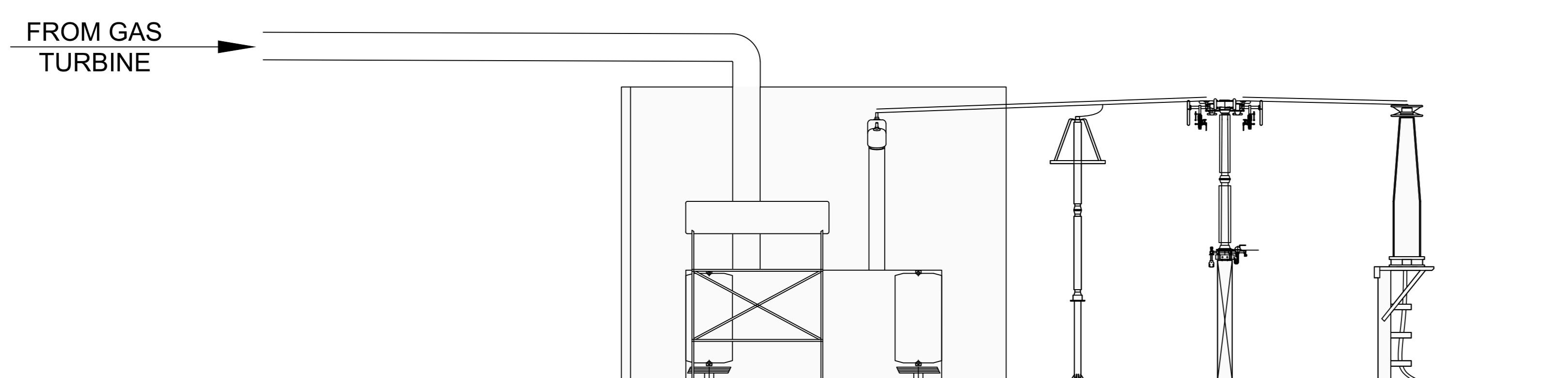
SOUTH ELEVATION



PLAN



EAST ELEVATION



WEST ELEVATION

LEGEND
- - - MAXIMUM DIMENSIONS

B	08/05/2018	MODIFIED IN LINE WITH CLIENT COMMENTS	SPS	SJS	IMG
A	23/02/2018	FIRST ISSUE	SPS	SJS	IMG
Rev	Date	Description	By	Chk	App

INDICATIVE



Wesbrook Mills
Gedding
Surrey GU7 2LZ
Tel: 44-(0)1483-628400
Fax: 44-(0)1483-628999
wsp.com

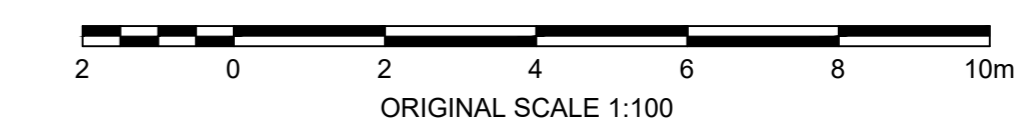


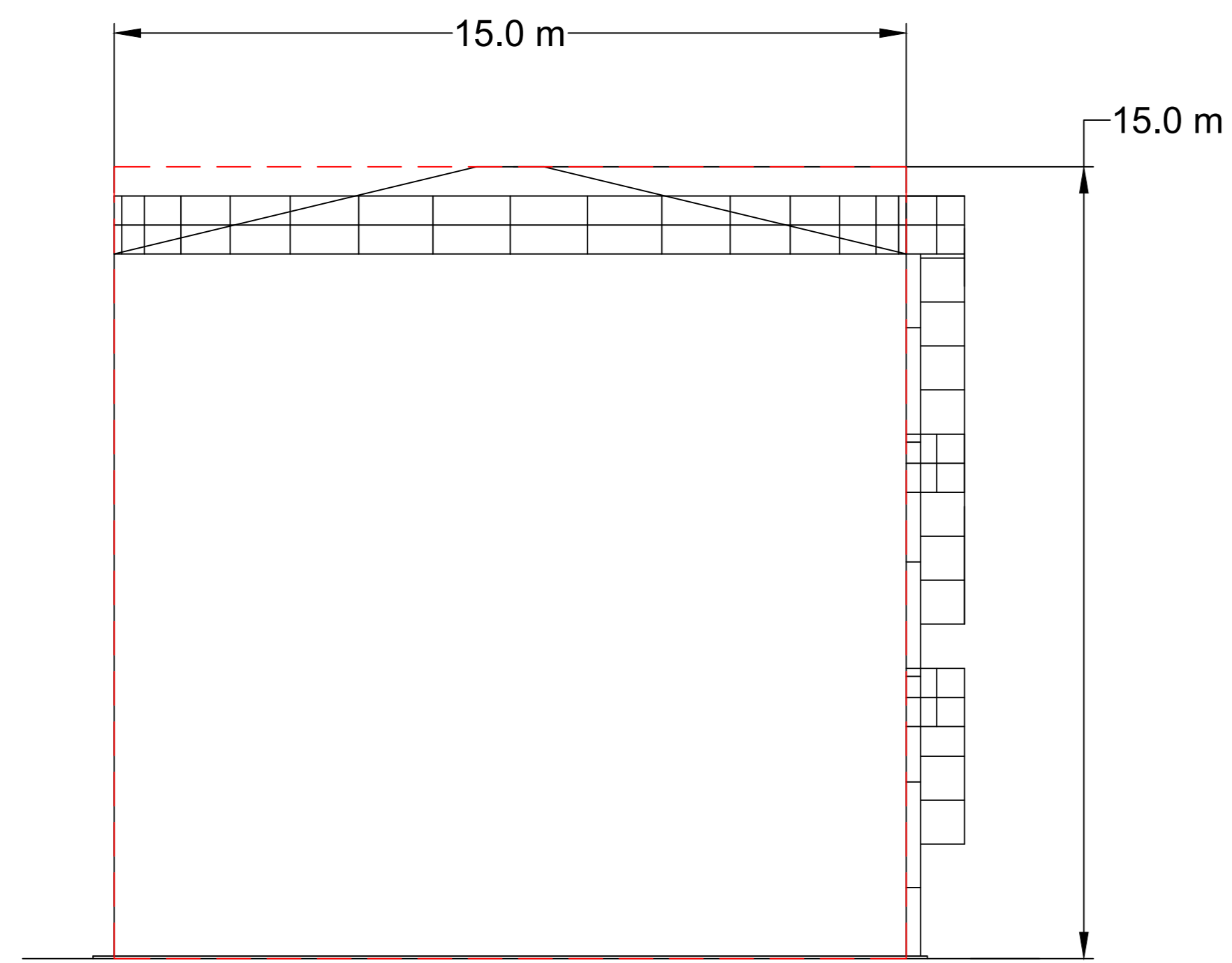
ABERGELLI POWER PROJECT

INDICATIVE TRANSFORMER PLAN AND ELEVATIONS Reg5(2)(o) DOCUMENT REFERENCE 2.7

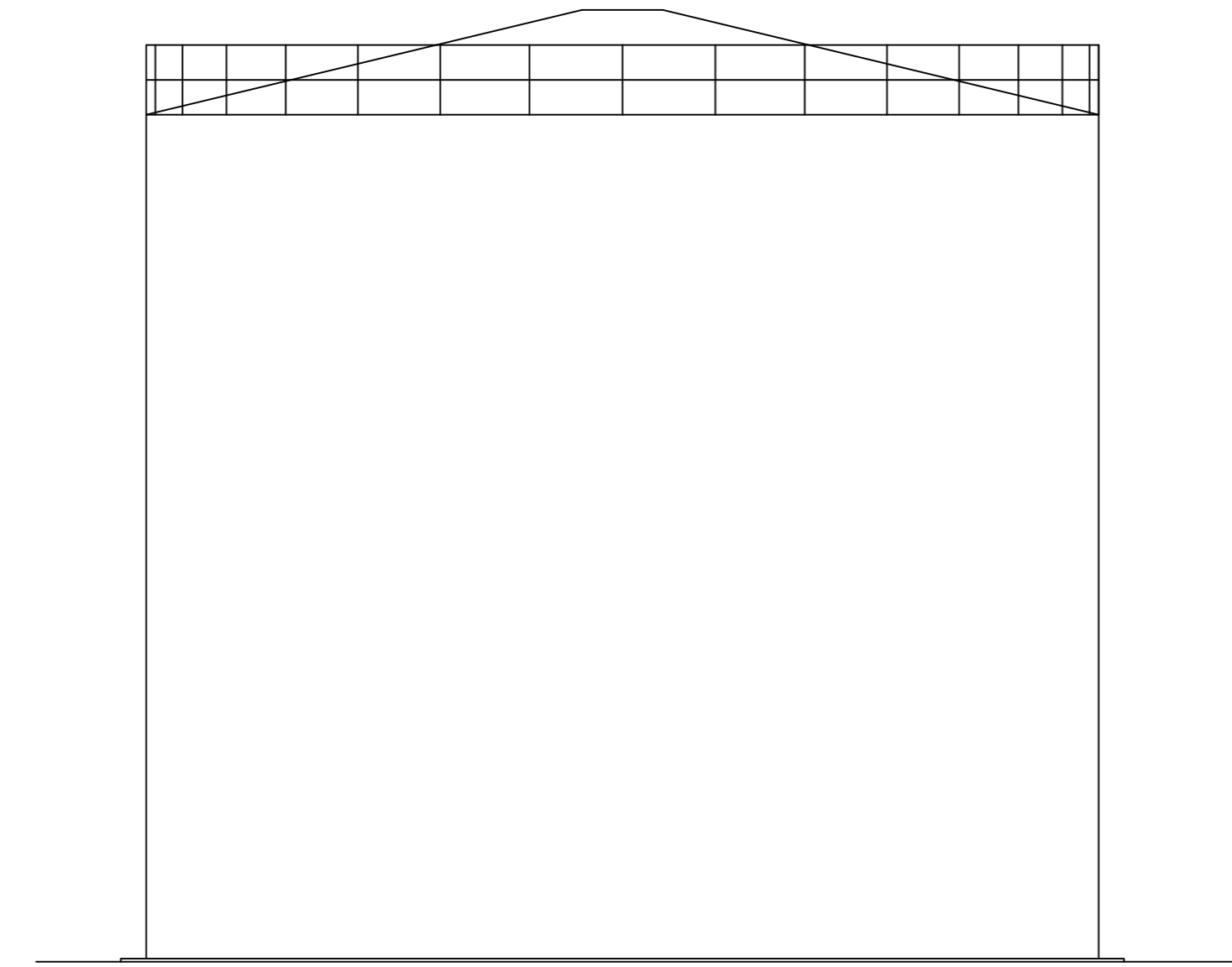
Drawn: SPS	Checked: SJS
Designed: IMG	Approved: IMG
Date: 23/02/18	Scale: AS SHOWN AD Sheet: 1 OF 1
Project Number: 70034053	Drawing Number: FIGURE 9

70034053 FIGURE 9 B

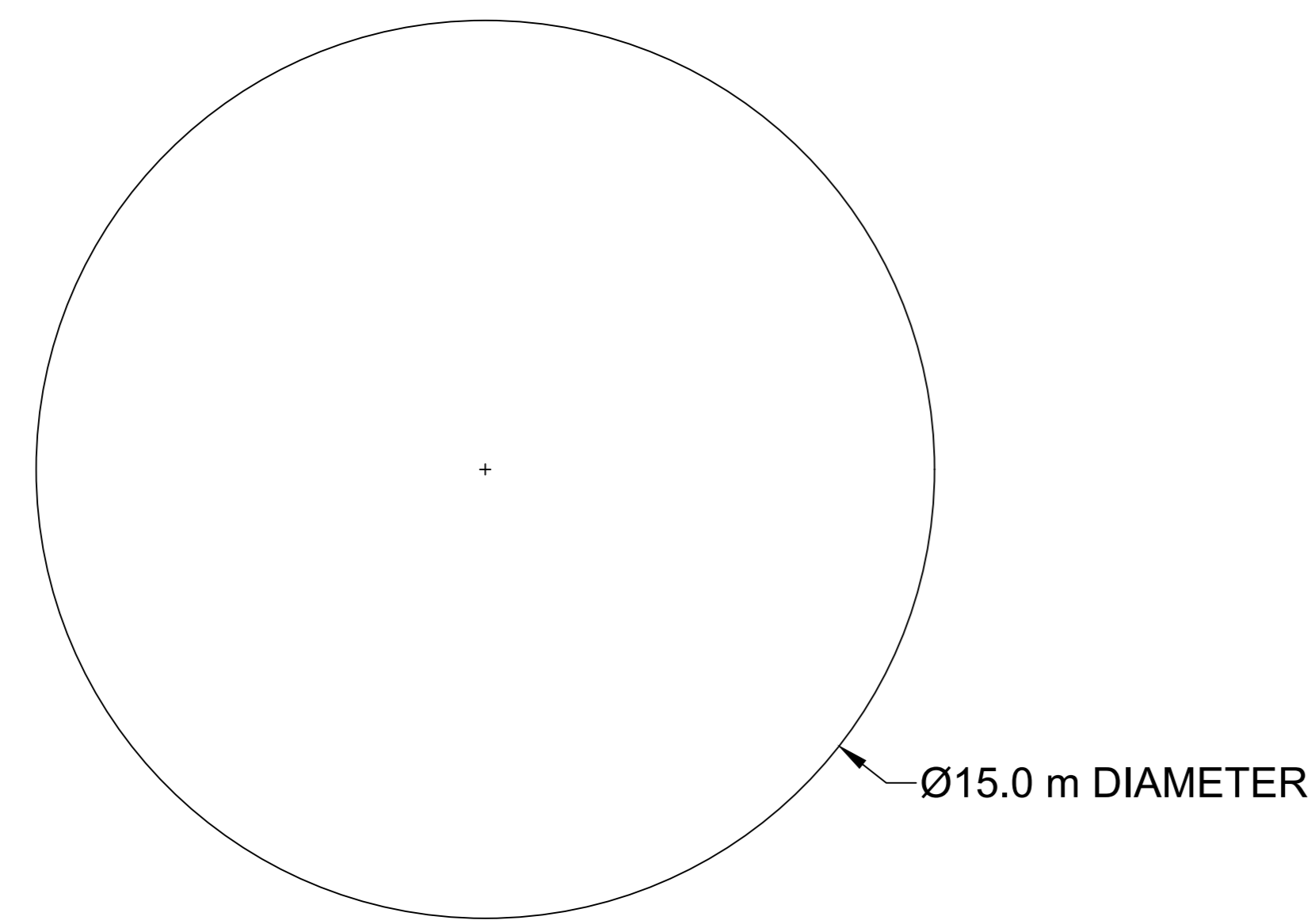




NORTH/SOUTH ELEVATION

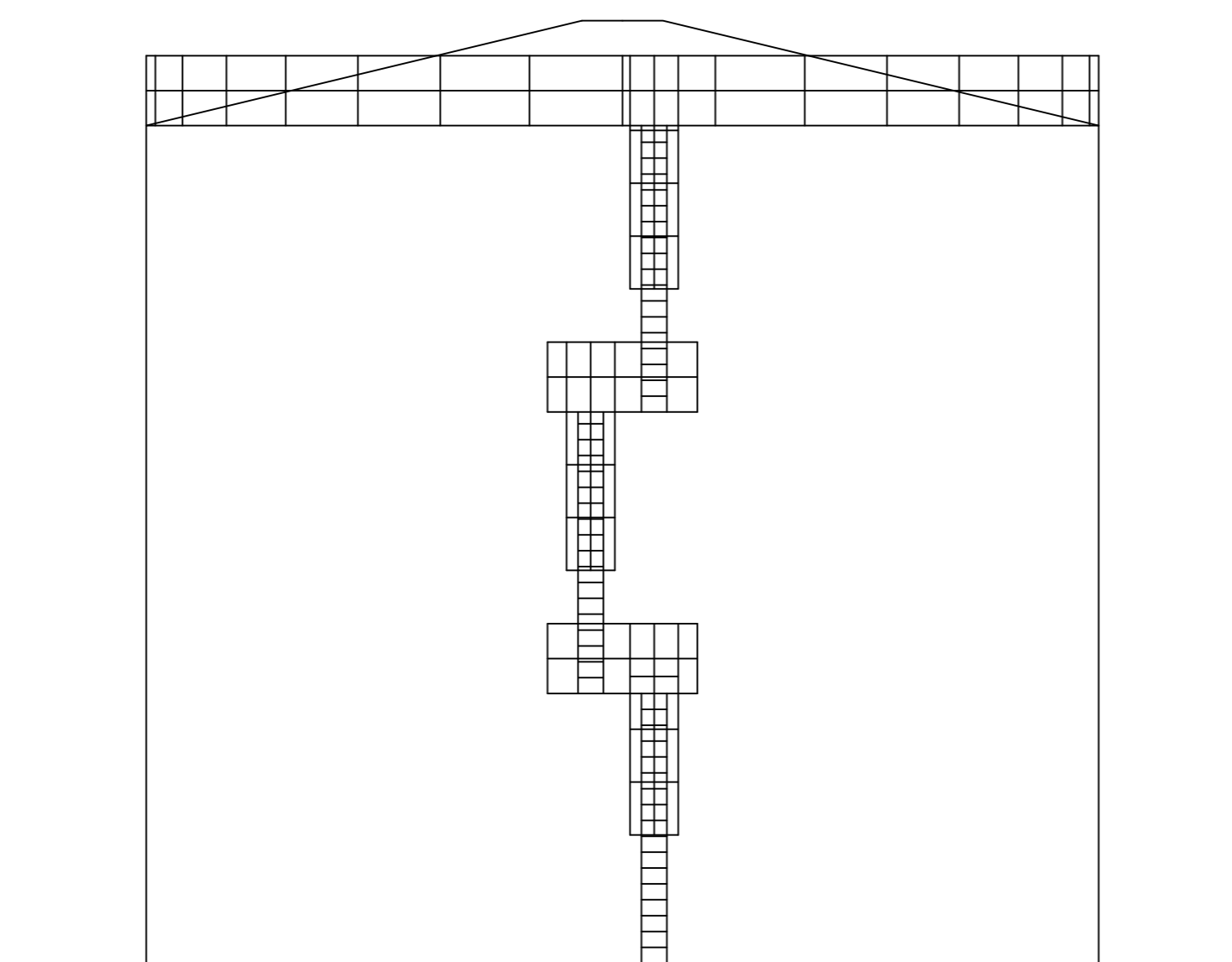


WEST ELEVATION

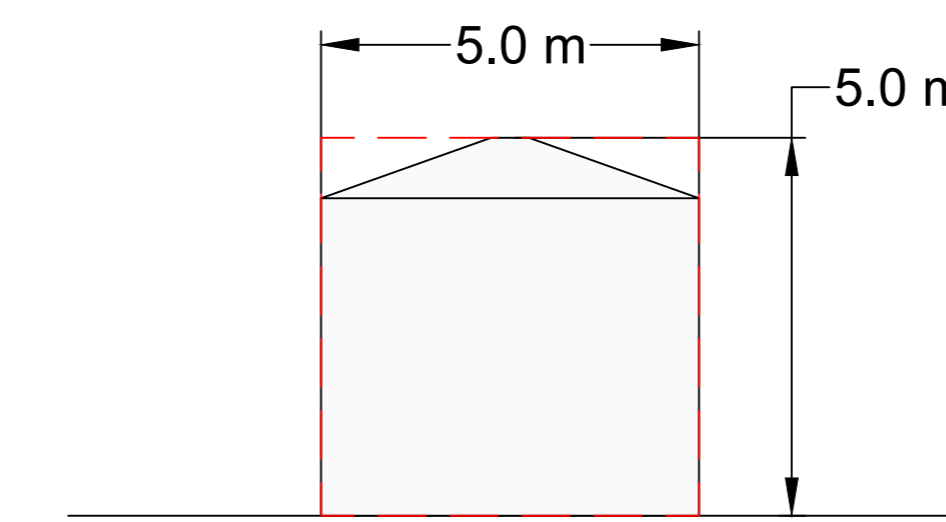
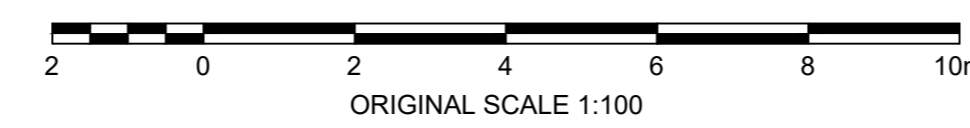


PLAN

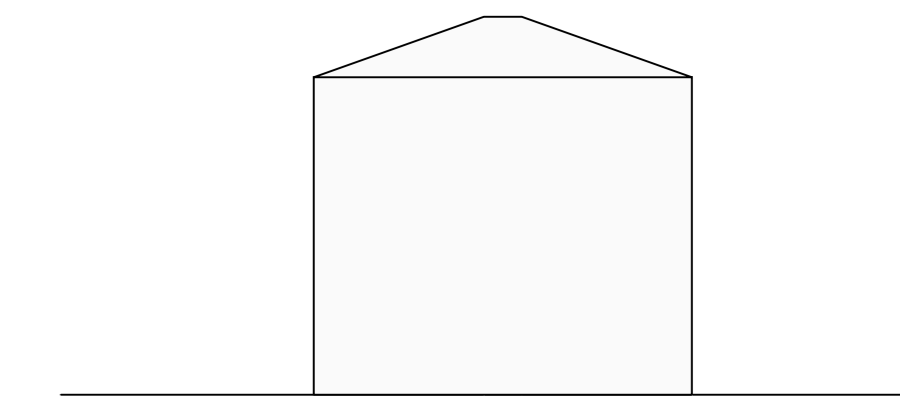
RAW/FIRE WATER TANK



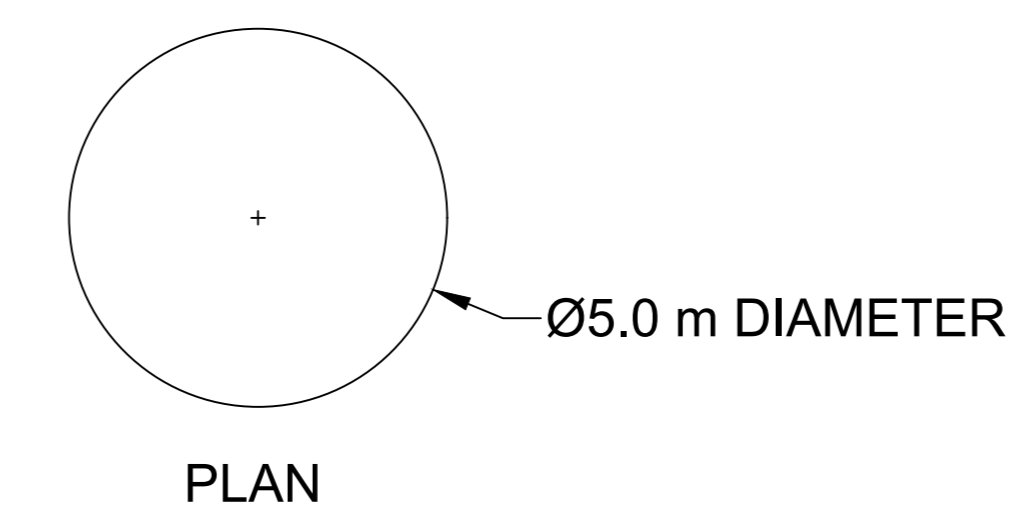
EAST ELEVATION



NORTH/SOUTH ELEVATION

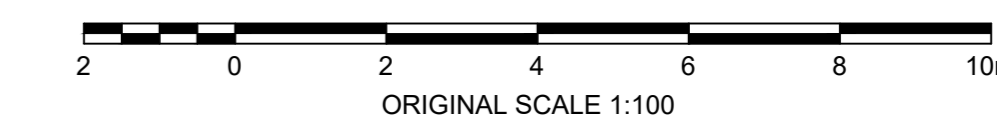


EAST/WEST ELEVATION



PLAN

DEMIN WATER TANK



LEGEND
- - - MAXIMUM DIMENSIONS

B	09/05/2018	MODIFIED IN LINE WITH CLIENT COMMENTS	SJS	SJS	IMG
A	16/02/2018	FIRST ISSUE	JPW	SJS	IMG
Rev	Date	Description	By	Chk	App

INDICATIVE



Westbrook Mills
Surrey GU7 2JZ
Tel: 44-(0)1483 628400
Fax: 44-(0)1483 628999
www.wsp.com



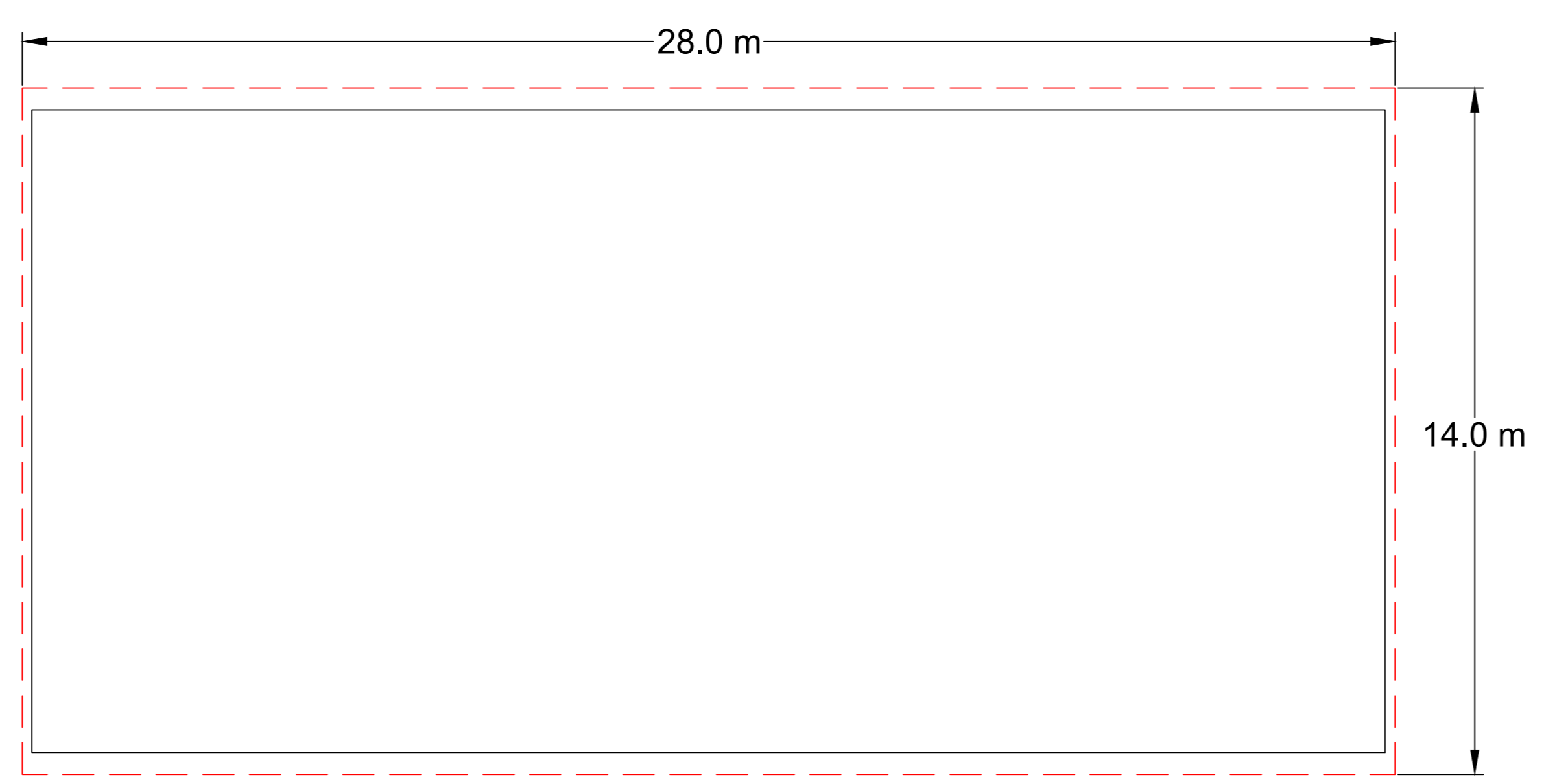
Site/Project
ABERGELLI POWER PROJECT

Title
INDICATIVE DEMINERALISED WATER TANK AND RAW/FIRE WATER TANK PLAN AND ELEVATIONS Reg5(2)(o) DOCUMENT REFERENCE 2.7

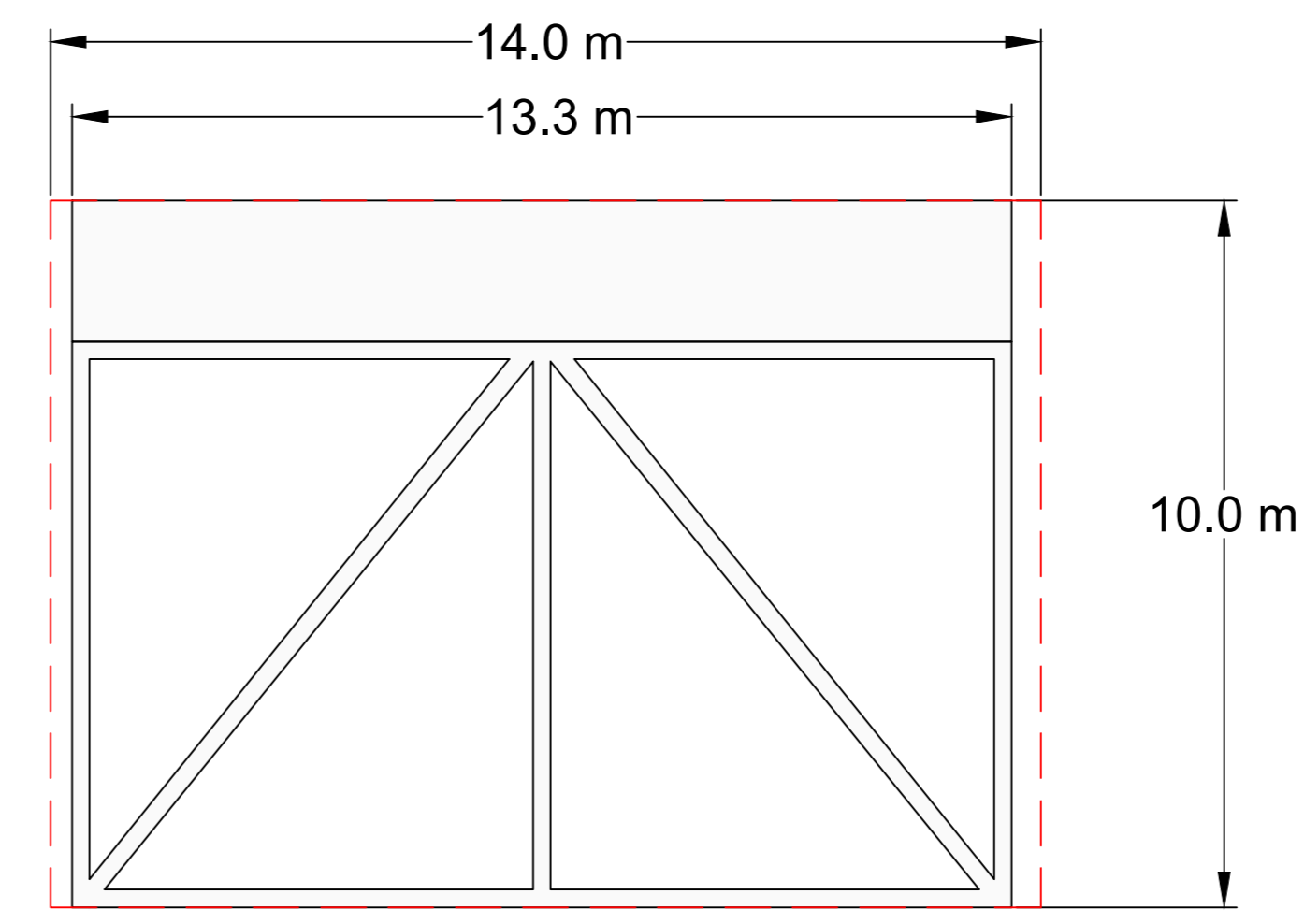
Drawn: JPW	Checked: SJS
Designed: IMG	Approved: IMG
Date: 16/02/18	Scale: AS SHOWN
Project Number: 70034053	Sheet: 1 OF 1

70034053	FIGURE 10	B
----------	-----------	---

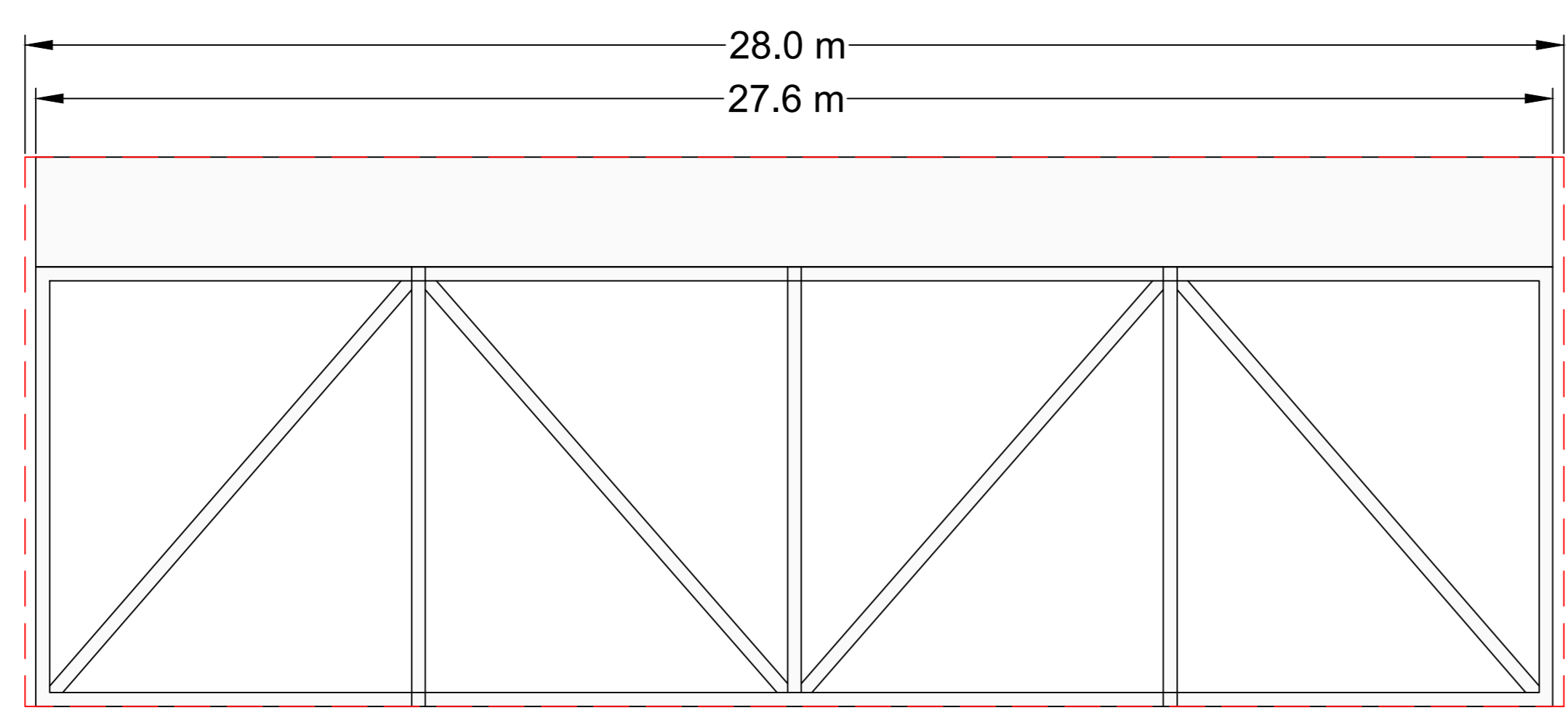
LEGEND
 - - - MAXIMUM DIMENSIONS



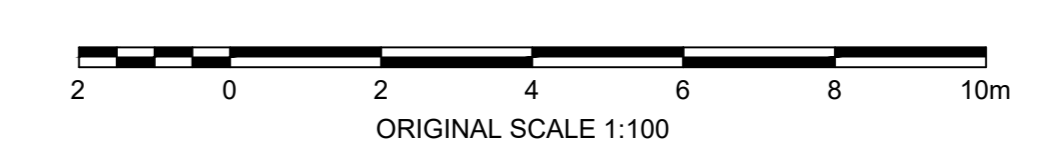
PLAN



NORTH/SOUTH ELEVATION



EAST/WEST ELEVATION



B	09/05/2018	MODIFIED IN LINE WITH CLIENT COMMENTS	SPS	SJS	IMG
A	23/02/2018	FIRST ISSUE	SPS	SJS	IMG
Rev	Date	Description	By	Chk	App

INDICATIVE



Westbrook Mills
 Godshill
 Surrey GU1 2AZ
 Tel: 44 (0) 1483 234800
 Fax: 44 (0) 1483 234899
 www.wsp.com



Site/Project
ABERGELLI POWER PROJECT

Title
**INDICATIVE FIN FAN COOLER
 PLAN AND ELEVATIONS
 Reg5(2)(o)
 DOCUMENT REFERENCE 2.7**

Drawn	SPS	Checked	SJS
Designed	IMG	Approved	IMG
Date	23/02/18	Scale	AS SHOWN A0
Project Number	70034053	Sheet	1 OF 1
Drawing Number	FIGURE 11	Revision	B